



DA-S 20-130/T-EN54

- quick Mounting
- aluminium housing



EN 54-24:2008
Ref. Nr.: 002-13
ID-Code: SAA-LS02
1438/CPR/0234

ic audio GmbH, Boehringerstraße 14a,
D-68307 Mannheim, Germany

CE-Symbol gemäß Richtlinie 93/68EWG

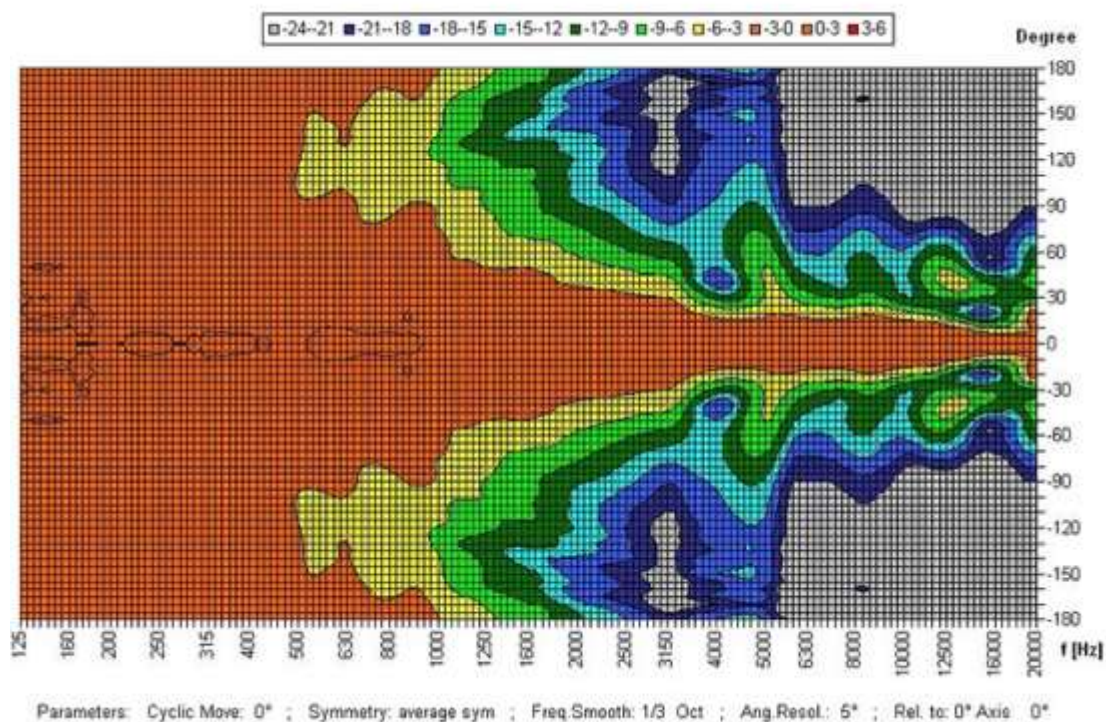
The 20W powered speaker is equipped with a 130mm full-range loudspeaker and a 100V line transformer with 4 power adjustments. A robust powder coated aluminum housing in RAL 9010, and a solid aluminium mounting bracket ensures the permanent installation of this speaker. For additional reliability, a 2 pincer ceramic block and a thermal fuse is provided in a junction box and the speaker chassis is impregnated against wetness.

The speaker is also secured with the high protection class IP 65 against the risks of environmental influences. The speaker is compliant with the British Standard BS 5839, Part 8.

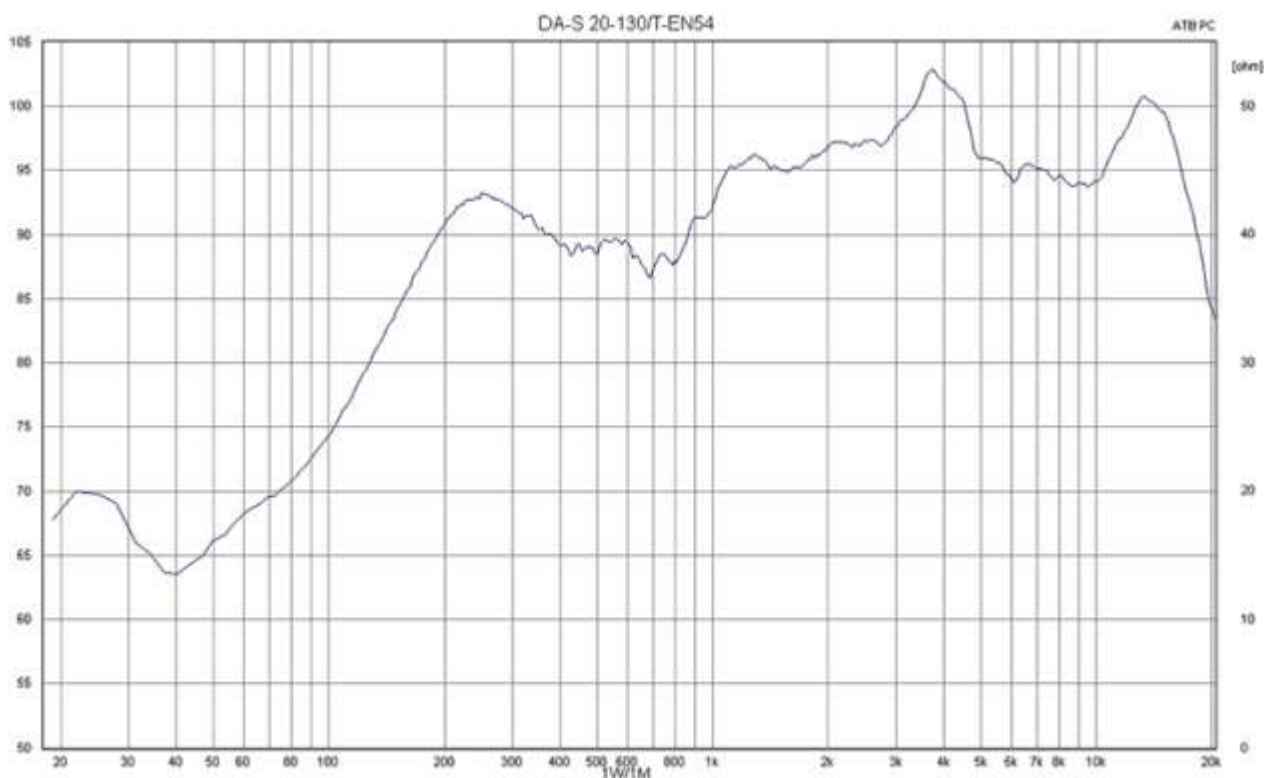
Optionally available is a mast bracket (MB) for about 200mm mast diameter.

Polar Diagrams

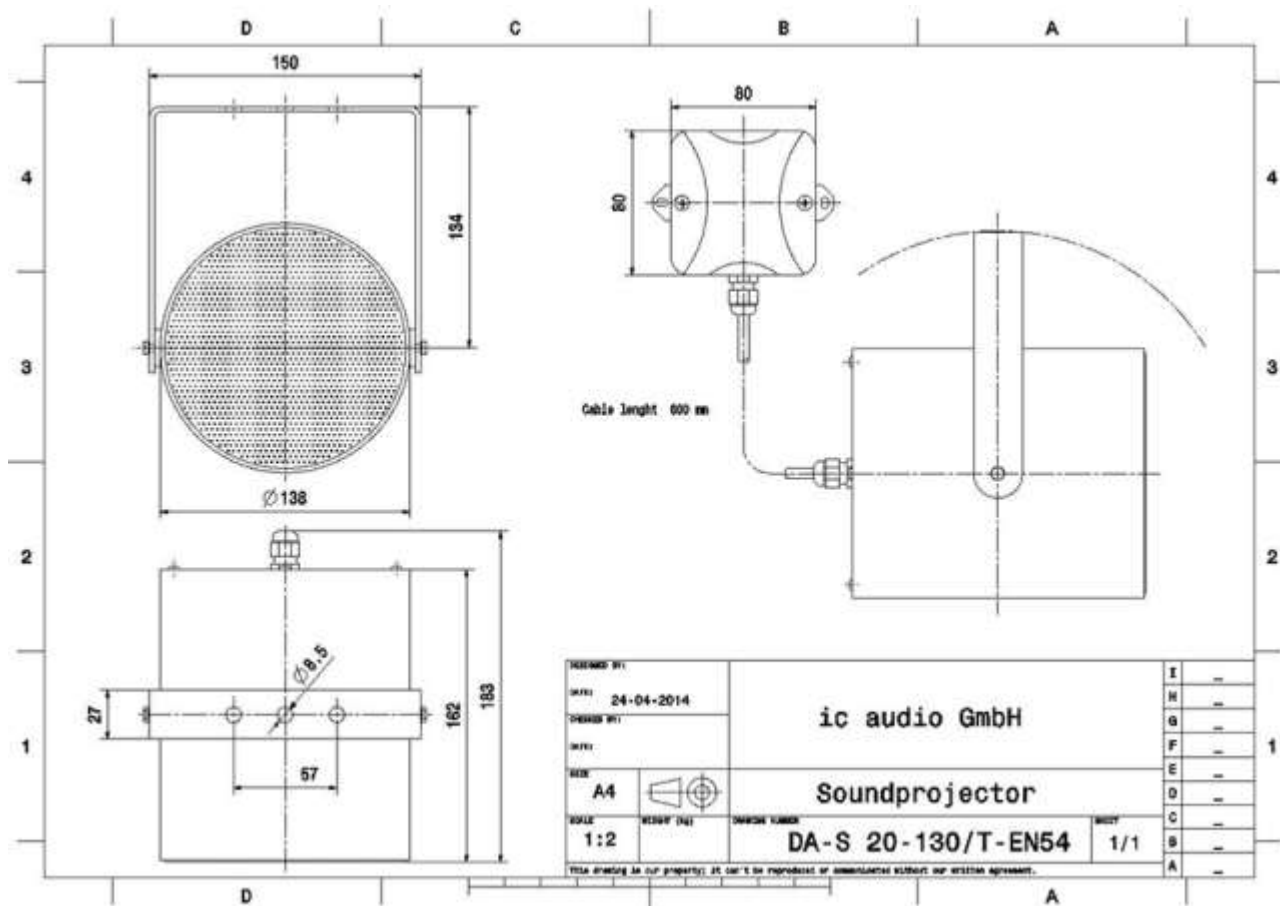
Copyright by Four-Audio GmbH & Co KG Licensed to AAC



Frequency Response Diagrams



Technical Diagrams



Technical Data (Electrical)

Description	DA-S 20-130/T-EN54
Power	20/15/10/5 W
Frequency Range	800 - 16.700 Hz
Frequency Response	150 - 20.000 Hz
SPL 1W/1m, peak	103,2 dB
SPL, 1W/4m, peak	91,2 dB
SPL Pmax/4m, peak	104,2 dB
Sensitivity EN54-24, 1W/4m	78,1 dB
Dispersion -6dB, 500 Hz	360°
Dispersion -6dB, 1KHz	204°
Dispersion -6dB, 2KHz	115°
Dispersion -6dB, 4KHz	50°

Technical Data (Mechanical)

Dimensions	183x150 mm
IP Rating	IP65
Weight (net)	3,15 kg
Temperature range	-20 / +90 °C
Mounting	Mounting bracket
Connector	ceramic block
Maximum cable cross section	8mm ²
Max. cable cross section loop	2 x 2 mm ²
Colour	RAL 9010