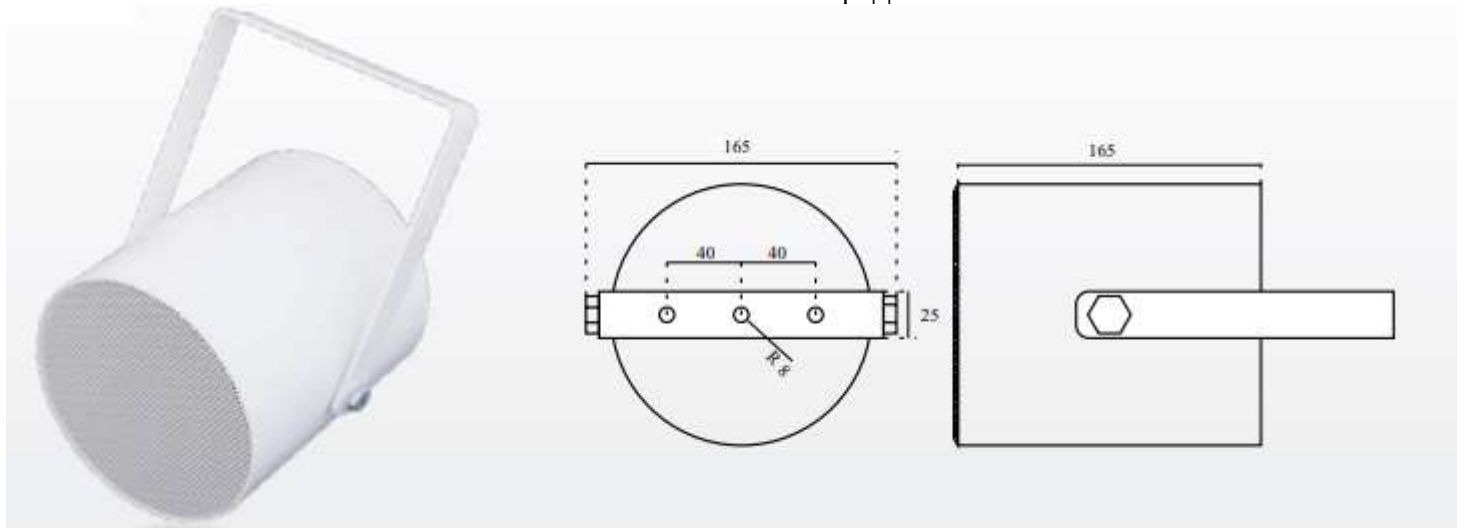


DAW 130/10 PP

Stable and effective DAW 130/10 PP sound projectors are made of high-quality powder coated aluminum that is completely corrosion-resistant. They are equipped with a high quality broadband speaker with a diameter of 130 mm. Aesthetic and modern enclosed enclosure offers exceptional sound quality.

Completely resistant to vandalism. They are characterized by an easy and fast fixing system. It has an IP 54 protection level. Connection module with a 3-contact ceramic cube equipped with a 130 C 3 A thermal fuse.



Technical data	
Symbol	DAW 130/10 PP
Nominal power	10W
Speaker type	130 mm wideband
Frequency range (-10dB)	125 – 20 000 Hz
SPL 1W/1m	94,3 dB
SPL Pmax/1m	104,3 dB
Emission angle 1.000 Hz (-10 dB)	180°
Transformer type	100V, 10/6/3/1,5 W
Dimensions	140 x 165 mm
Weight	2,8 kg
Material	Aluminium powder coated
Connector	3-pin ceramic cube
Colour	RAL-9010 White/whole RAL palette
IP security level	54
VPE	12

