

DK 10/T-EN54

- high acoustic pressure level
- waterproof



EN 54-24:2008
Ref. Nr.: 003-13
ID-Code: SAA-LS03
1438/CPR/0242

ic audio GmbH, Boehringerstraße 14a,
D-68307 Mannheim, Germany

CE-Symbol gemäß Richtlinie 93/68EWG

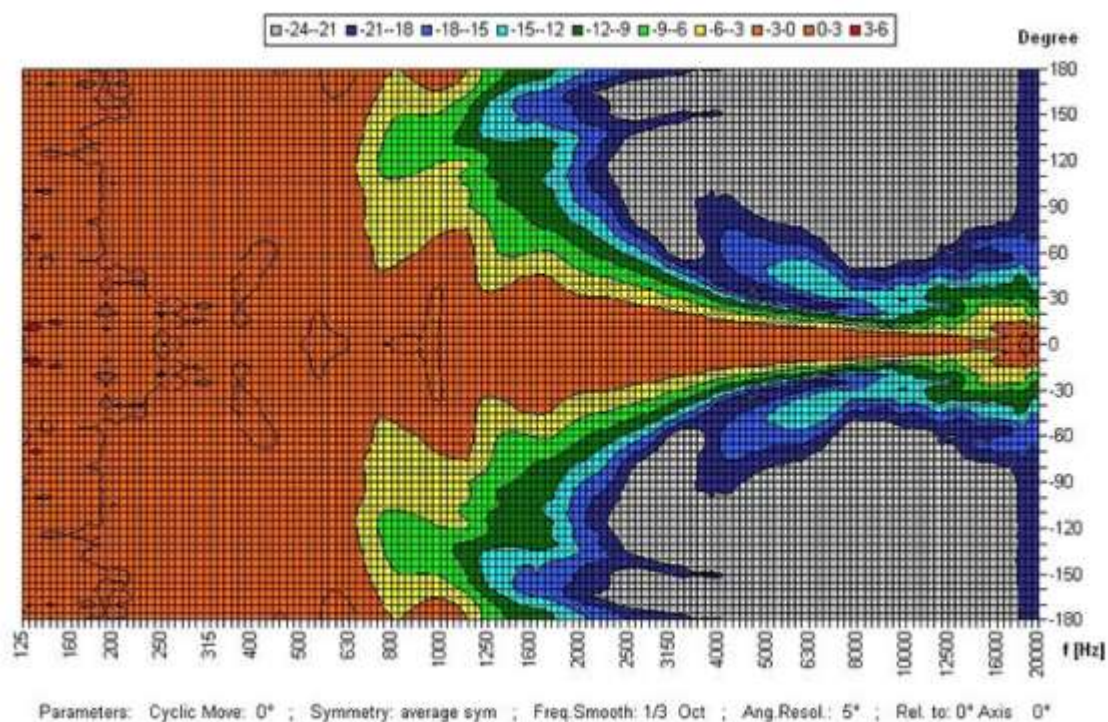
The 10W powered speaker is equipped with a 100V line transformer with 4 power adjustments, also low impedance operation (20 ohm) is possible. The impact-resistant ABS housing UL94V0 in RAL 7035 guarantees long-term stability. For additional reliability, a ceramic block and a thermal fuse is provided in a junction box.

The speaker is also secured with the high protection class IP 66 against the security risks of environmental influences.

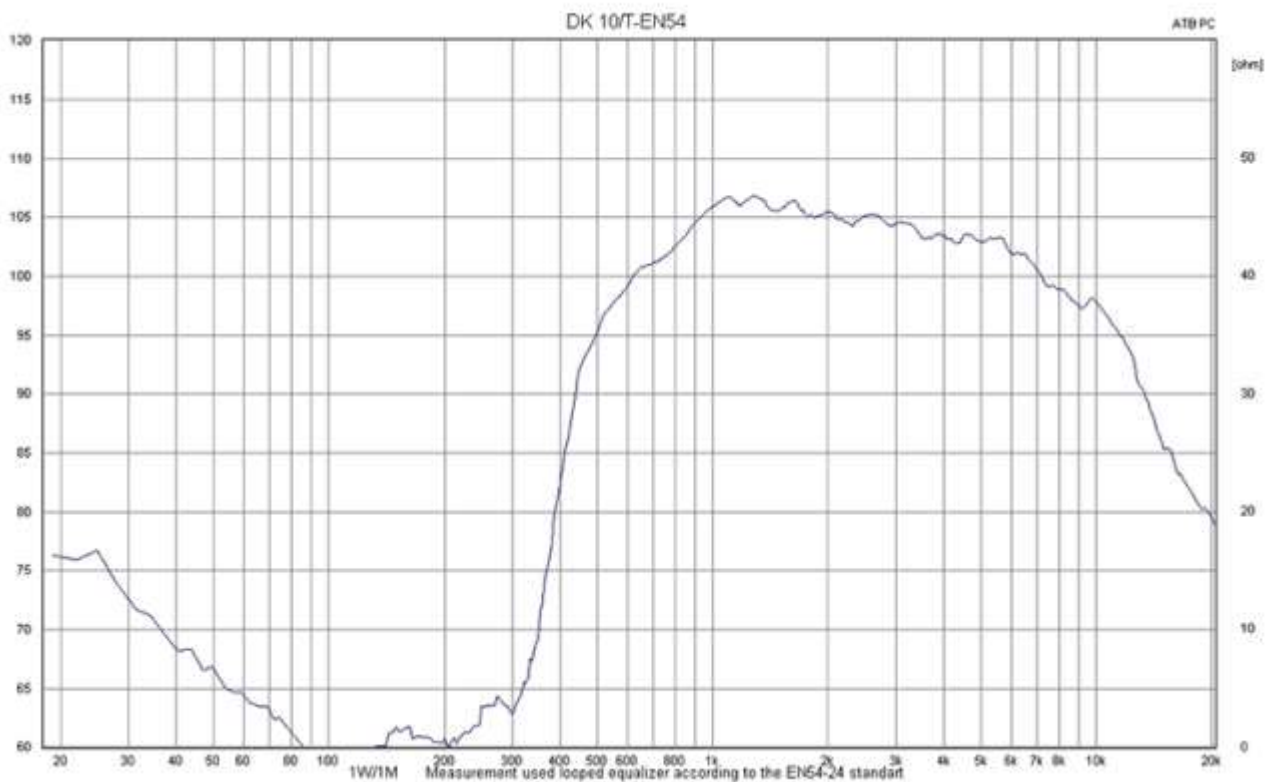
Included is a U-shaped, stainless steel universal mount for flexible installation. Optionally available is a mast bracket (MB) for about 90 - 200mm mast diameter.

Polar diagrams

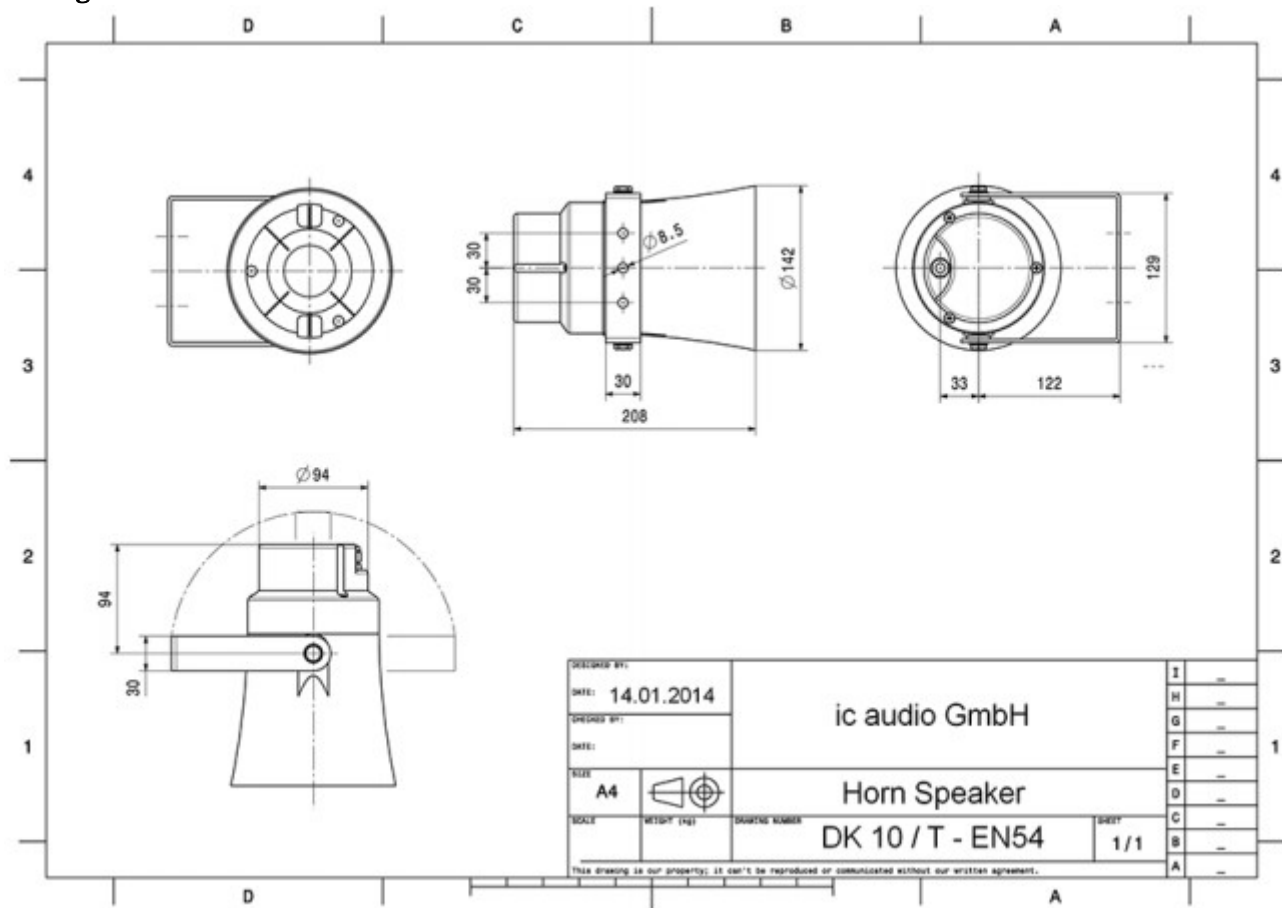
Copyright by Four-Audio GmbH & Co KG Licensed to AAC



Frequency response diagram



Technical diagram



Technical data

Description	DK 10/T-EN54
Power	10/5/2,5/1,25 (20) W
Frequency Range	569 – 7.000 Hz
Frequency Response	370 – 13.600 Hz
SPL, 1W/1m, maximum	106,7 dB
SPL, 1W/4m, maximum	94,7 dB
SPL, Pmax/4m, maximum	104,7 dB
Sensitivity EN54-24, 1W/4m	74,5 dB
Dyspersion -6dB, 500Hz	360°
Dyspersion -6dB, 1KHz	237°
Dyspersion -6dB, 2KHz	97°
Dyspersion -6dB, 4KHz	46°

Technical (Mechanical)

Dimensions	142x208 mm
IP class	IP66
Weight (net)	1,81 kg
Temperature range	-20 / +90 ° C
Mounting	Mounting bracket
Connector	Ceramic block
Maximum cable cross section	8mm ²
Max. cable cross section loop	2x2mm ²
Colour	RAL 7035