

DK 30/T-EN54

- high sound pressure level
- weather proof



EN 54-24:2008
Ref. Nr.: 003-13
ID-Code: SAA-LS03
1438-CPR-0242

ic audio GmbH, Boehringerstraße 14a,
D-68307 Mannheim, Germany

CE-Symbol gemäß Richtlinie 93/68EWG



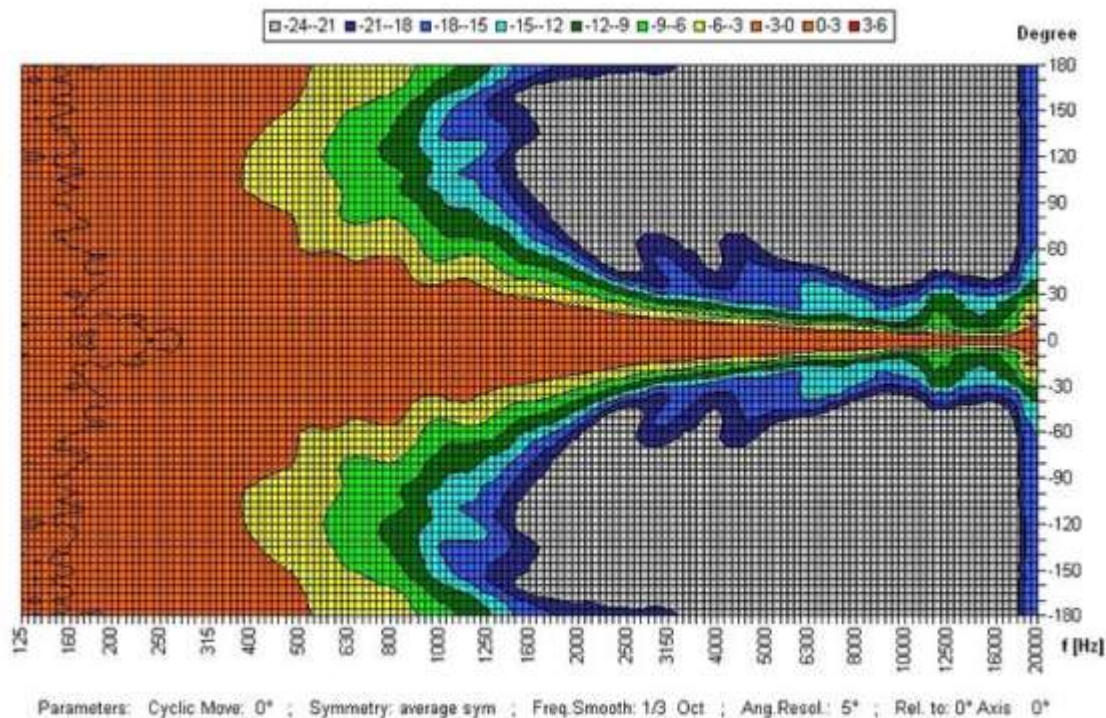
The 30W powered speaker is equipped with a 100V line transformer with 4 power adjustments, also low impedance operation (20ohm) is possible. The impact-resistant ABS housing UL94V0 in RAL 7035 guarantees long-term stability. For additional reliability, a ceramic block and a thermal fuse is provided in a junction box.

The speaker is also secured with the high protection class IP 66 against the security risks of environmental influences. The speaker is compliant with the British Standard BS 5839, Part 8.

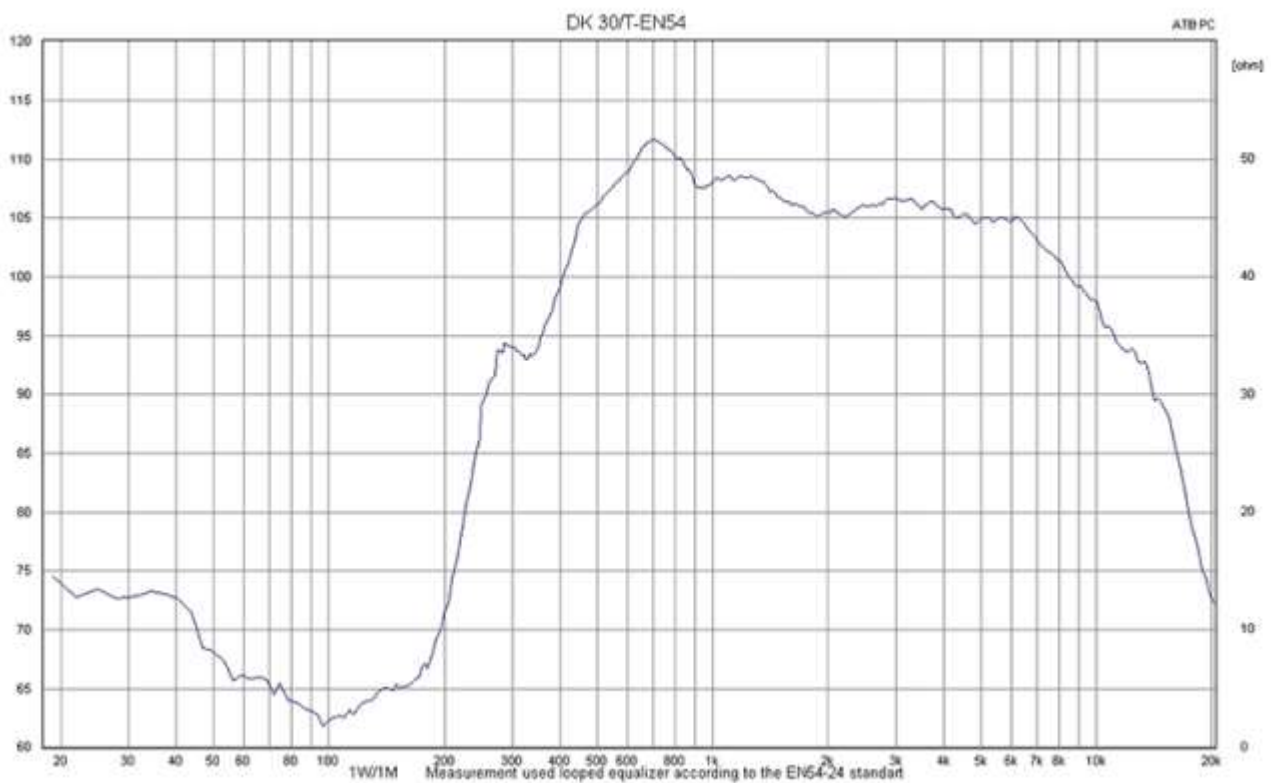
Included is a U-shaped, stainless steel universal mount for flexible installation. Optionally available is a mast bracket (MB) for about 90 - 200mm mast diameter.

Polar Diagrams

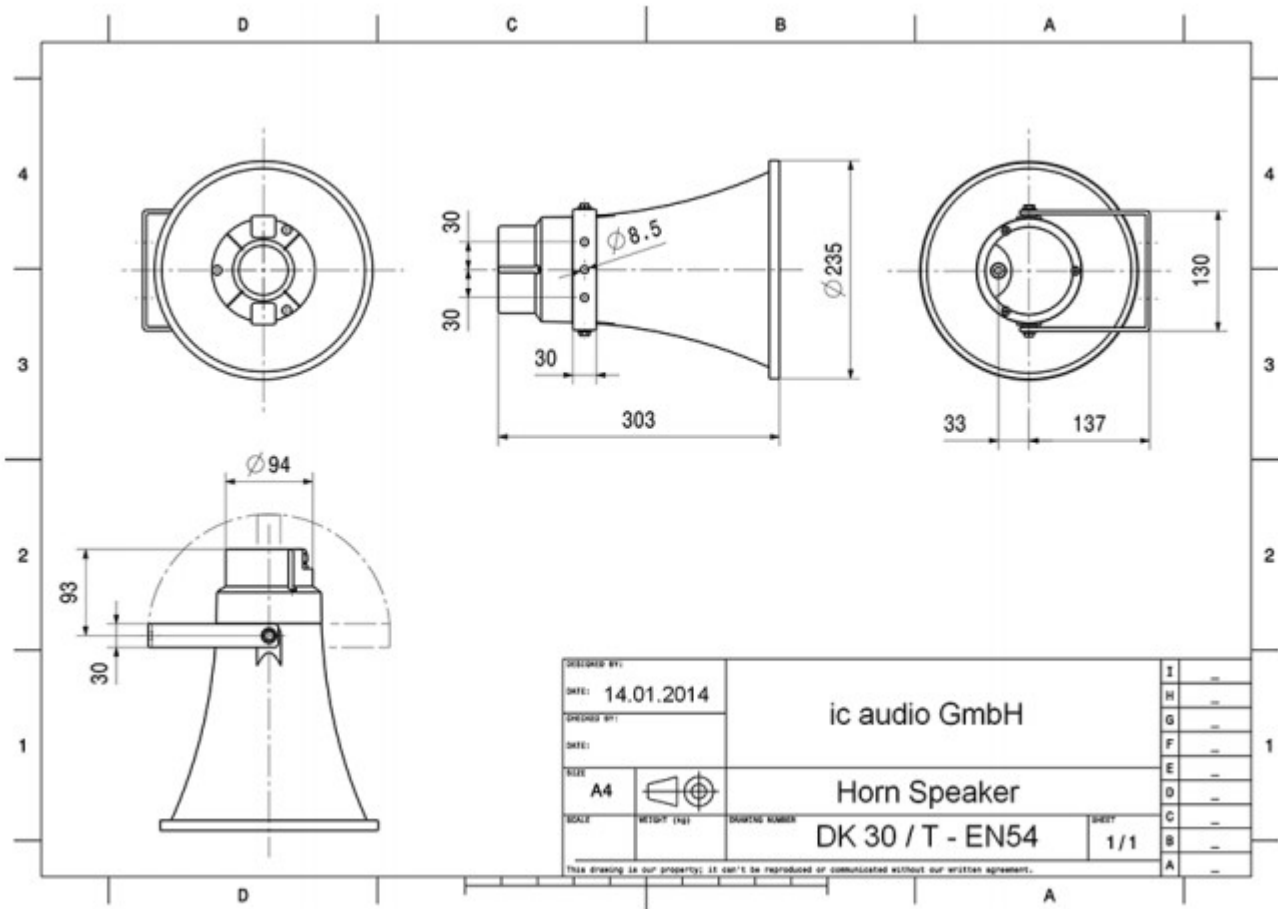
Copyright by Four-Audio GmbH & Co KG Licensed to AAC



Frequency Response Diagrams



Technical Diagrams



Technical Data (Electrical)

| | |
|------------------------------|-----------------------|
| Description | DK 30/T-EN54 |
| Power | 30/20/10/5 (20) W |
| Impedance(100V) | 333/500/1000/2000 ohm |
| Frequency Range | 592 - 6.900 Hz |
| Frequency Response | 250 - 15.000 Hz |
| SPL 1W/1m, peak | 110,1 dB |
| SPL, 1W/4m, peak | 98,1 dB |
| SPL Pmax/4m, peak | 112,8 dB |
| Sensitivity EN54-24, 1W/4m | 85,9 dB |
| Sensitivity IEC 268-5, 1W/1m | 97,9 dB |
| Dispersion -6dB, 500 Hz | 155° |
| Dispersion -6dB, 1KHz | 110° |
| Dispersion -6dB, 2KHz | 65° |
| Dispersion -6dB, 4KHz | 35° |

Technical Data (Mechanical)

| | |
|-------------------------------|-----------------------|
| Dimensions | 235x303 mm |
| IP Rating | IP66 |
| Weight (net) | 2,27 kg |
| Temperature range | -20 / +90 °C |
| Mounting | Mounting bracket |
| Connector | ceramic block |
| Maximum cable cross section | 8mm ² |
| Max. cable cross section loop | 2 x 2 mm ² |
| Colour | RAL 7035 |