

DL 10-165/T plus-EN54



- quick Mounting
- excellent sound



EN 54-24:2008

Ref. Nr.: 010-14

ID-Code: SAA-LS01

1438-CPR-0233

ic audio GmbH, Boehringerstraße 14a,
D-68307 Mannheim, Germany

CE-Symbol gemäß Richtlinie 93/68EWG

The 10W powered speaker is equipped with a 165mm 2-way system with neodymium tweeter and a 100V transformer with 4 power adjustments. The powder coated metal similar in RAL 9010 guarantees long-term stability. For additional reliability, a 2 pin-ceramic block, a thermal fuse is provided and the speaker chassis is impregnated against wetness.

The speaker is also secured with protection class IP 21C against the security risks of environmental influences. Quick and easy mounting with spring clamps and short tension distance. The connecting cables can be supplied by rubber grommets in the firedome.

Perfectly suitable for installations where high sound quality is needed.

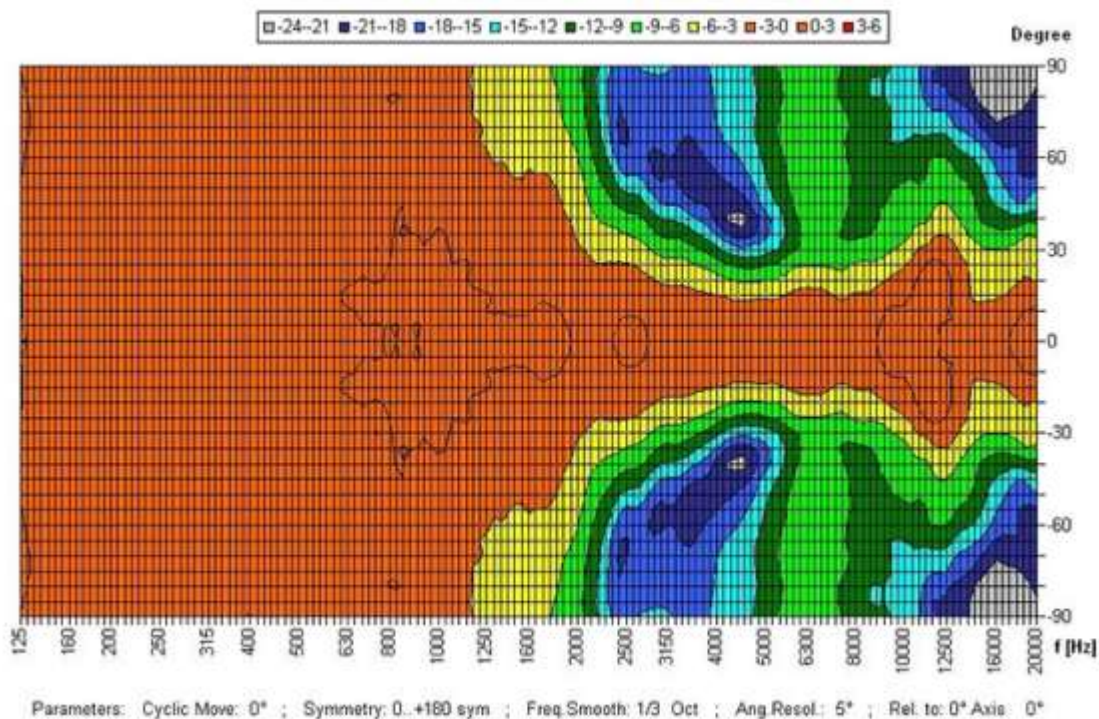
Special paint of the speaker in 4-digit RAL- or NCS- colour available at extra cost.

The firedome is included in the delivery.

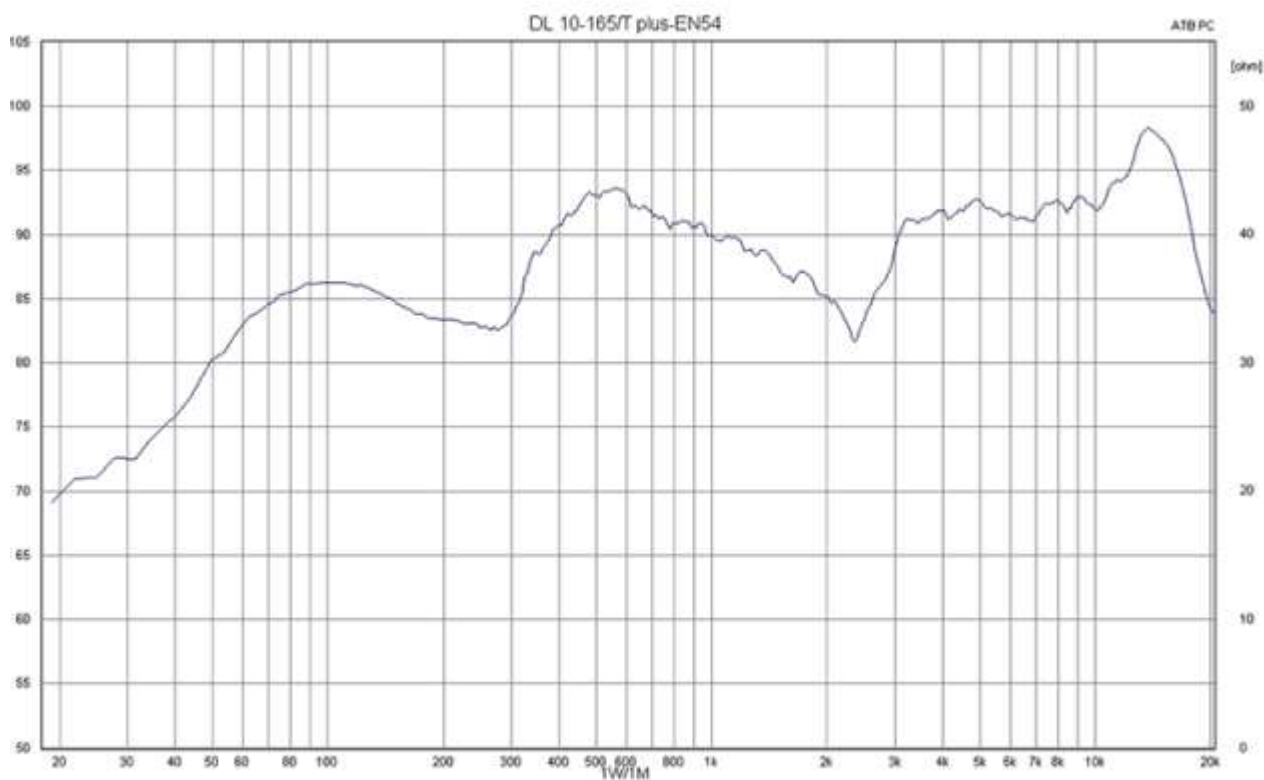
This speaker is suitable for a ceiling strength of about 6 – 45 mm. Our specification is primarily related to solid ceilings, for ceilings with soft materials a higher ceiling thicknesses could be necessary. In addition, stronger cables and other fittings may also result in changes of the appropriate setup. With regard to the variety of materials and manufacturers, we recommend to build in a sample of the speaker to match requirements accurately.

Polar Diagrams

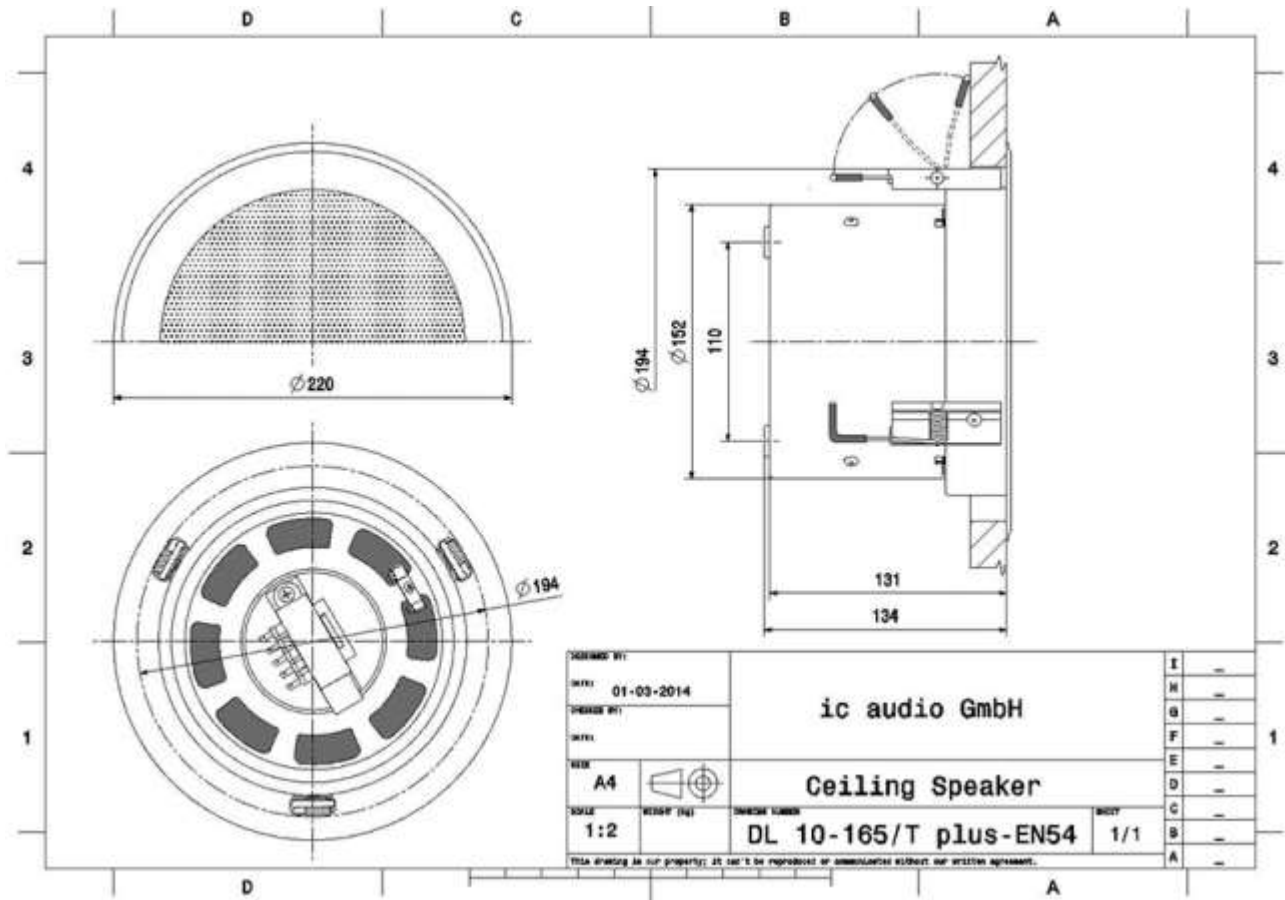
Copyright by Foa-Audio GmbH & Co KG. Licensed to AAC



Frequency Response Diagrams



Technical Diagrams



Technical Data (Electrical)

Description	DL 10-165/T plus-EN54
Power	10/6/3/1,5 W
Impedance (100V)	1000/1667/3333/6667 ohm
Frequency Range	275 - 23.500 Hz
Frequency Response	65 - 24.000 Hz
SPL 1W/1m, peak	91,2 dB
SPL, 1W/4m, peak	79,2 dB
SPL Pmax/4m, peak	89,2 dB
Sensitivity EN54-24, 1W/4m	74,0 dB
Sensitivity IEC 268-5, 1W/1m	86,0 dB
Dispersion -6dB, 500 Hz	180°
Dispersion -6dB, 1KHz	155°
Dispersion -6dB, 2KHz	115°
Dispersion -6dB, 4KHz	50°

Technical Data (Mechanical)

Dimensions	220x134 mm
IP Rating	IP21
Weight (net)	1,87 kg
Ceiling Cut-out	201 mm
Temperature range	-20 / +80 °C
Mounting	Quick fit mounting
Connector	2-pin ceramic block
Maximum cable cross section	8mm ²
Max. cable cross section loop	2 x 2 mm ²
Colour	RAL 9010