

DL-AB 06-200/T-EN54



- quick Mounting
- highest reliability



EN 54-24:2008
Ref. Nr.: 010-14
ID-Code: SAA-LS01
1438-CPR-0233

ic audio GmbH, Boehringerstraße 14a,
D-68307 Mannheim, Germany

CE-Symbol gemäß Richtlinie 93/68EWG

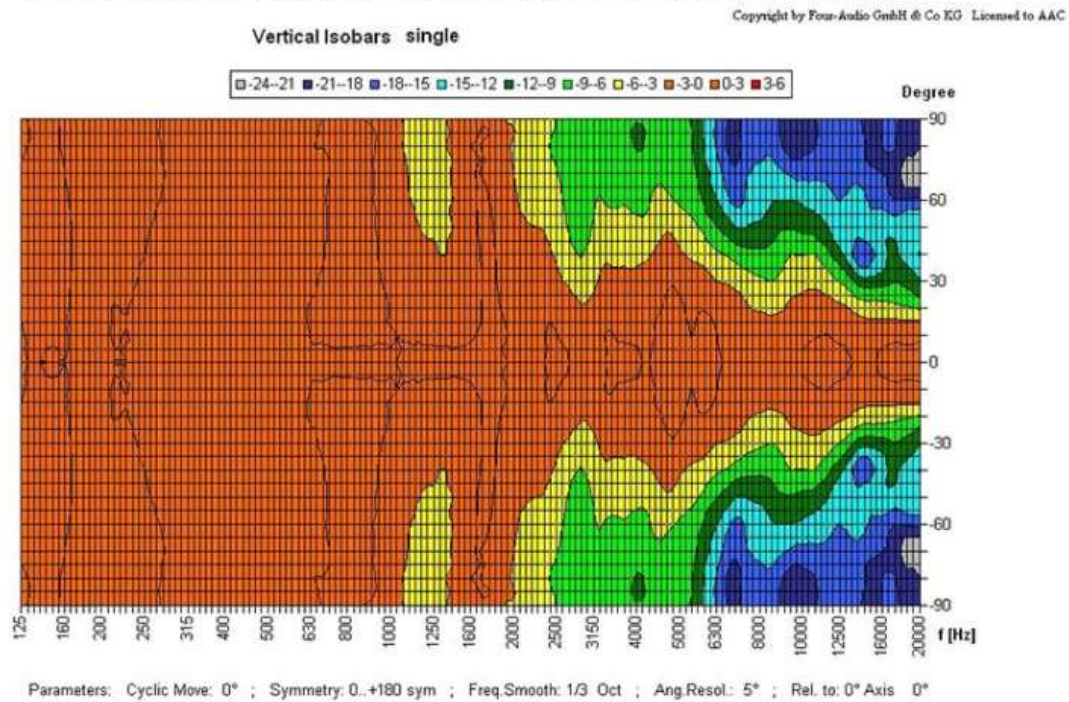
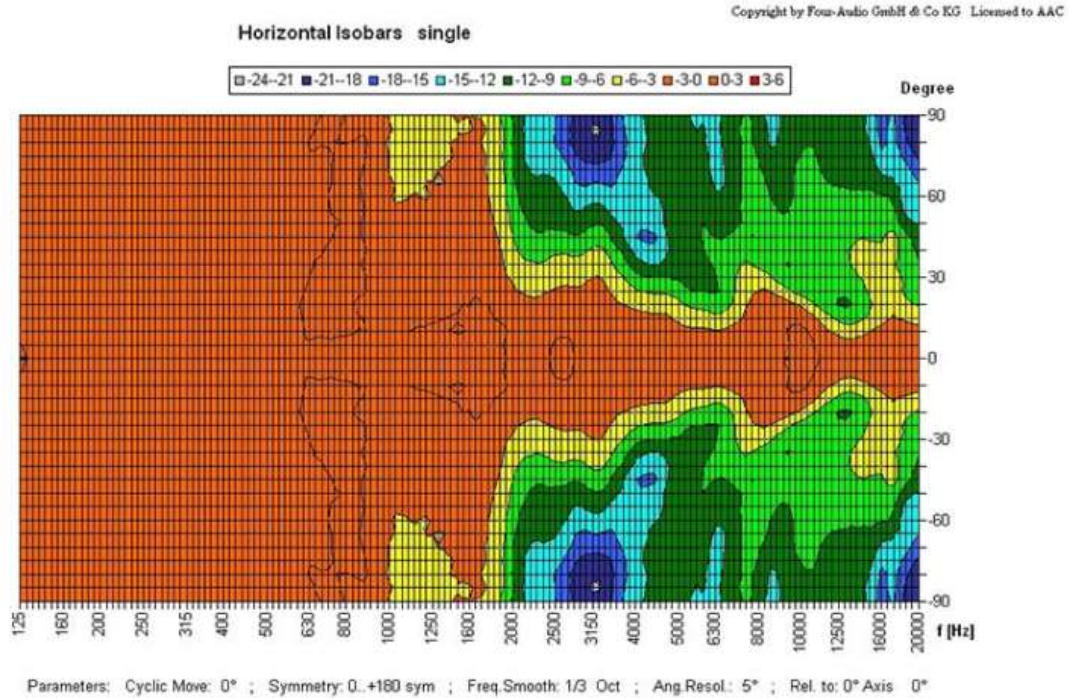
The DL-AB 06-200/T-EN54 is designed with two independent speakers and 100V transformers to enable an economic operation of two separated speaker lines (A/B-lines) for highest security demands. In case of a failure of one speaker line the redundancy of the speakers and the transformers will guarantee unimpaired function. The speaker is also compliant with the British Standard BS 5839, Part 8.

The 2x6W powered speaker is equipped with two full-range loudspeakers and two 100V transformer with 3 power adjustments, each. The powder coated metal similar in RAL 9010 guarantees long-term stability. For additional safety a 2-pin-ceramic block, thermal fuses are provided and the speaker chassis are impregnated against dampness. Protection class IP 21C secures the speaker against the impact of environmental influences.

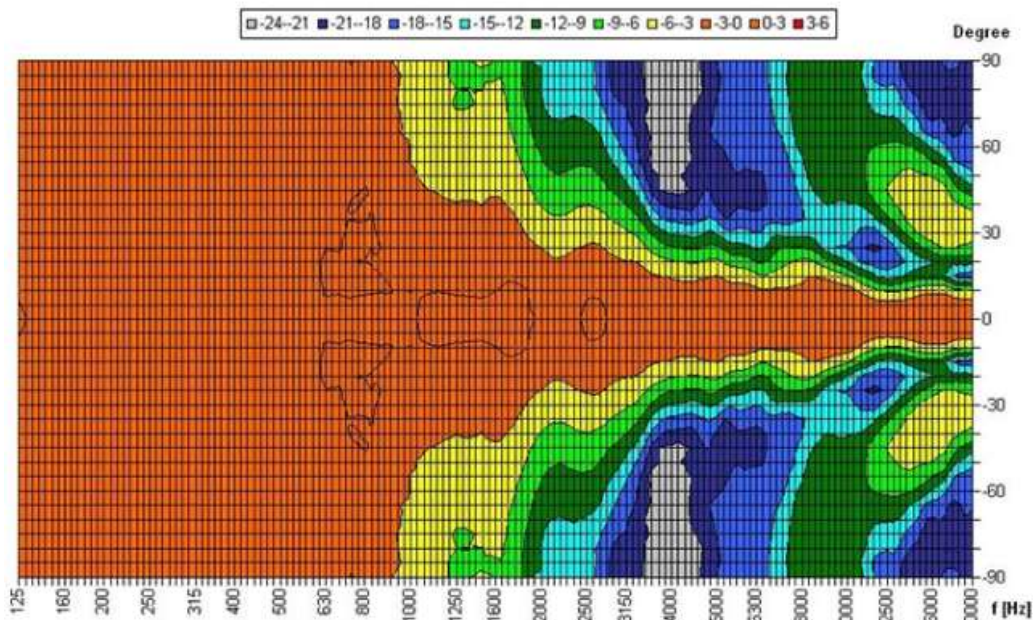
Quick and easy mounting with spring clamps and short tension distance. The connecting cables can be supplied by 4 rubber grommets in the firedome. Special paint of the speaker in 4-digit RAL- or NCS- colour available at extra cost. The firedome is included in the delivery.

This speaker is suitable for a ceiling strength of about 10 - 45 mm. Our specification is primarily related to solid ceilings, for ceilings with soft materials a higher ceiling thicknesses could be necessary. In addition, stronger cables and other fittings may also result in changes of the appropriate setup. With regard to the variety of materials and manufacturers, we recommend to build in a sample of the speaker to match the requirements accurately.

Polar Diagrams



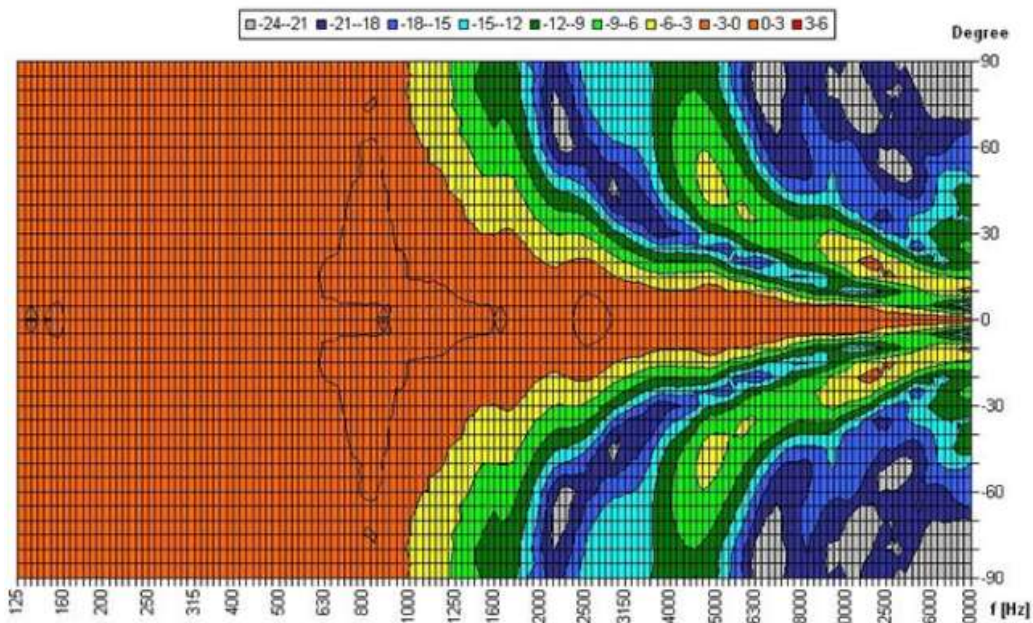
Horizontal Isobars double



Parameters: Cyclic Move: 0° ; Symmetry: 0..+180 sym ; Freq.Smooth: 1/3 Oct ; Ang.Resol.: 5° ; Rel. to: 0° Axis 0°

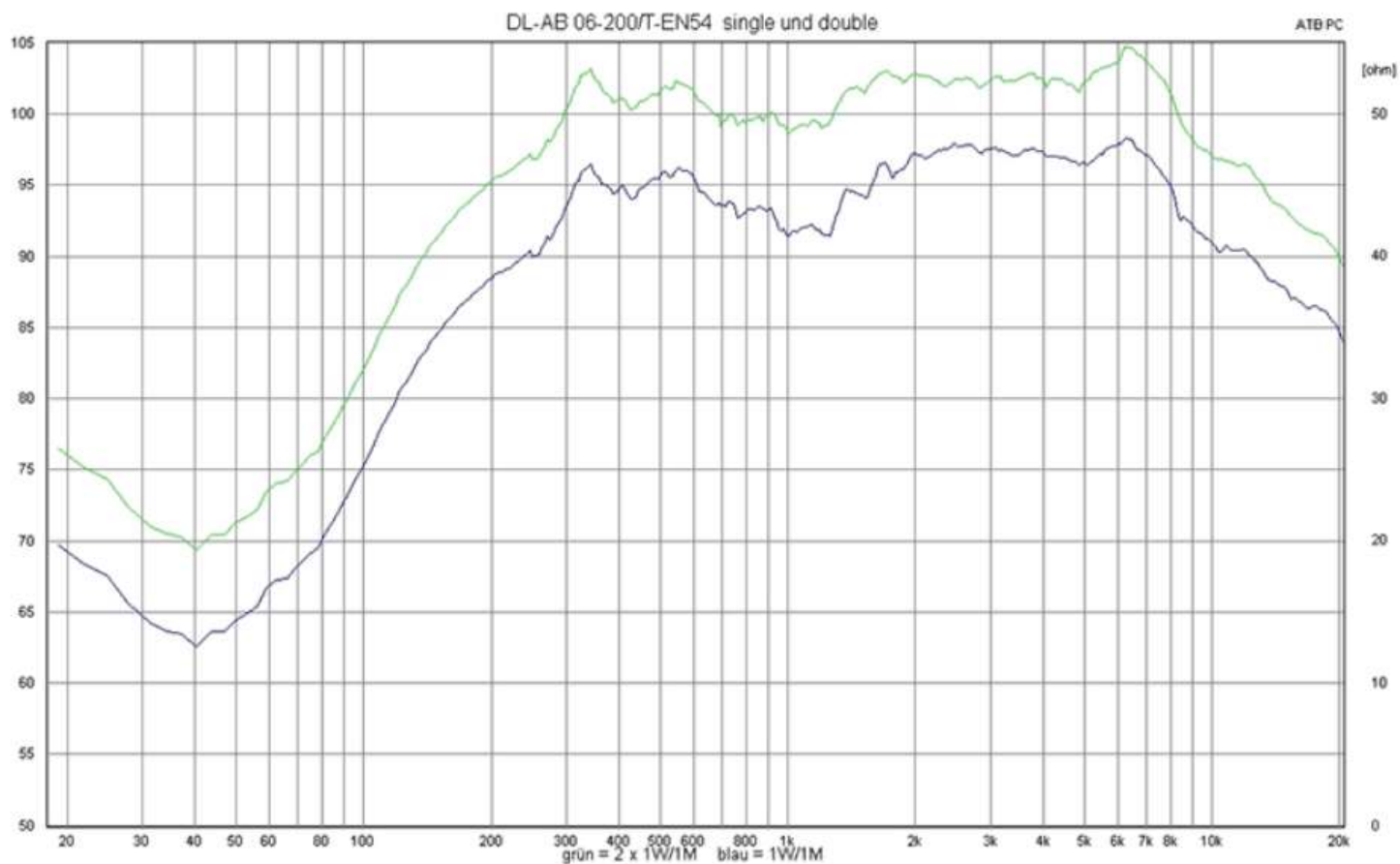
Copyright by Four-Audio GmbH & Co KG Licensed to AAC

Vertical Isobars double

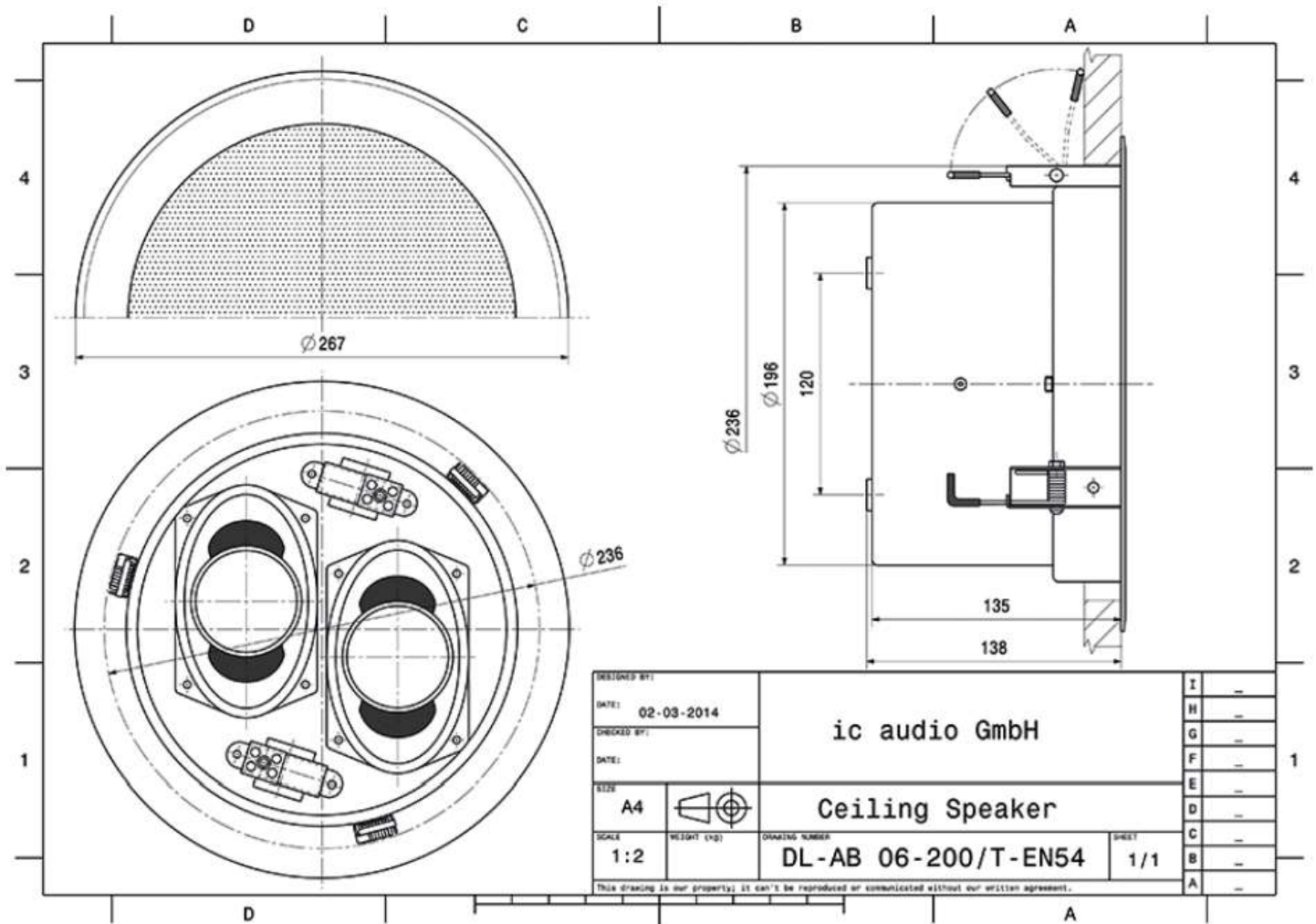


Parameters: Cyclic Move: 0° ; Symmetry: 0..+180 sym ; Freq.Smooth: 1/3 Oct ; Ang.Resol.: 5° ; Rel. to: 0° Axis 0°

Frequency Response Diagrams



Technical Diagrams



Technical Data (Electrical)

Description	DL-AB 06-200/T-EN54
Power	2x6/3/1,5 W
Impedance	2 x 1667/3333/6667 ohm
Frequency Range	162 - 18.600 Hz (single) 159 - 16.000 Hz (double)
Frequency Response	125 - 23.500 Hz (single) 120 - 23.500 Hz(double)
SPL 1W/1m, peak	98,4 dB (single) 104,8 dB (double)
SPL, 1W/4m, peak	86,4 dB (single) 92,8 dB (double)
SPL Pmax/4m, peak	94,1 dB (single) 100,5 dB (double)
Sensitivity EN54-24, 1W/4m	77,0 dB
Sensitivity IEC 268-5, 1W/1m	89,0 dB
Dispersion -6dB, 500 Hz	180° (h) s/d 180° (v) s/d
Dispersion -6dB, 1KHz	160° (h) s/d 160° (v) s/d
Dispersion -6dB, 2KHz	120° (h) 160° (v) s/d 75° (h) 90° (v) s/d
Dispersion -6dB, 4KHz	65° (h) 120° (v) s/d 40° (h) 60° (v) s/d

Technical Data (Mechanical)

Dimensions	267x138 mm
IP Rating	IP21
Weight (net)	2,16 kg
Temperature range	-20 / +80 °C
Mounting	Snap system
Connector	2-pin ceramic block
Maximum cable cross section	8mm ² (single)
Max. cable cross section loop	2 x 2 mm ² (single)
Colour	RAL 9010