

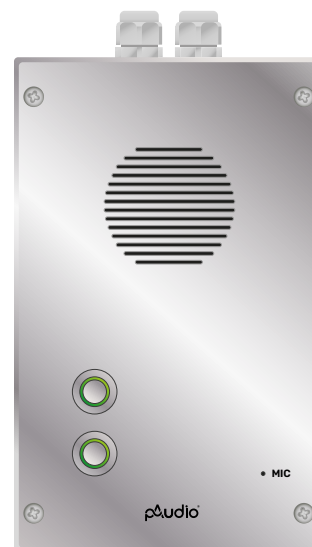
# INT

## Fire intercom

### Data Sheet VACIE IVO

#### Features

- For alarm purpose and the disabled
- Hands-free operation
- High performance microphone capsule
- 32-bit DSP audio processor
- Reliable mechanical buttons with backlight
- Up to 5 freely programmable buttons
- Vandal proof metal housing
- Advance control of VACIE IVO
- Digital communication
- Maximum cable length 500 m
- Direct power supply from VACIE IVO
- Ultra-low quiescent mode
- Half duplex / full duplex\*
- Surface or flush mounting



Certificate of constancy of performance  
1438-CPR-0401 Certificate of admittance  
3883/2020

#### Technical specification

##### General

Power supply	24 V DC $\pm$ 20 % 48 V DC $\pm$ 15 %
Idle consumption	< 2 W
Standards	EN54, CE
Mechanical	230 x 155 x 43 mm (flush installation) 200 x 125 x 43 mm (wall installation), 2x PG11 cable gland 200 x 125 x 40 mm (installation box)
Operating temperature	-5 °C...+40 °C
Relative humidity	25 %...90 %
Indicators	Backlight each button
Connectors	Digital BUS + power

##### Audio specification

Frequency response	150 Hz...16 kHz (- 3 dB)
THD+N distortion (1 kHz)	< 0,1 % (1 kHz)
Signal / noise ratio	> 65 dB

##### Others

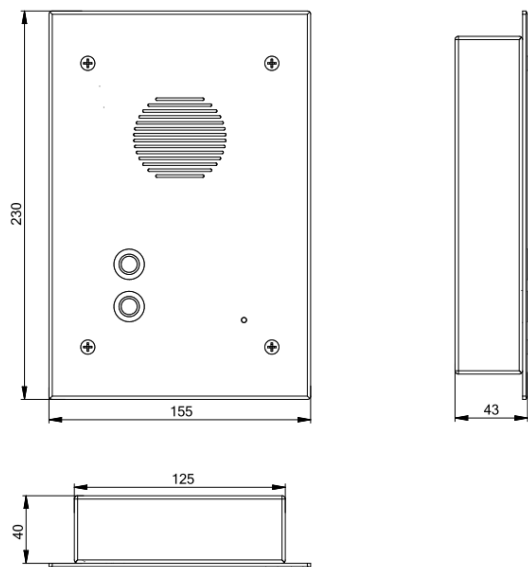
IP protection	IP30
Switches	Digital BUS termination
Options	Up to 5 buttons
Colour	Steel

# INT

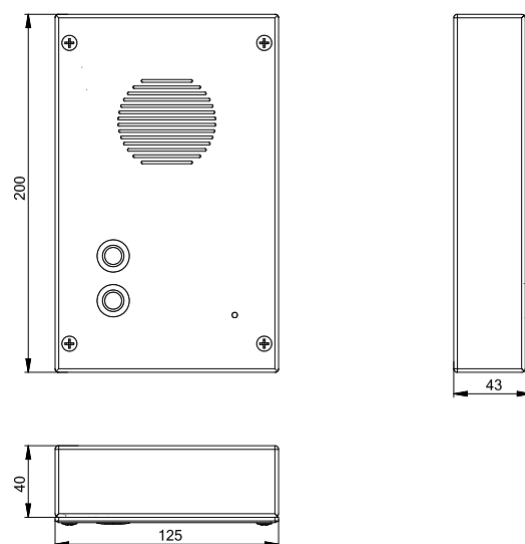
## Fire intercom

Data Sheet  
VACIE IVO

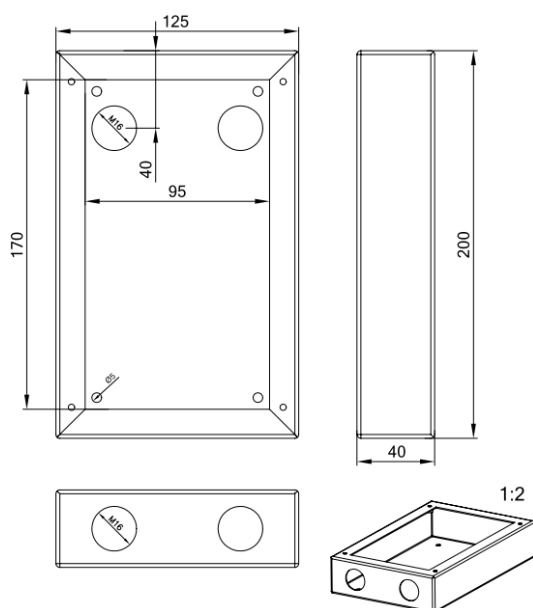
### Dimensions



Flush mount INT intercom



Surface mount INT intercom



Flush and surface mounting box for INT intercom