

# HS-30W-ABS

## 30 Watts Horn Loudspeaker

### APPLICATION

- Public Address and Voice Alarm
- Outdoor application
- Background Music

### AREA OF USE

- Health • Education • Retail • Hospitality
- Stadiums • Transportation • Theme parks • Military



**EN 54 24**

- High sound pressure level
- Weather-proof
- BS 5839

### OVERVIEW

The 30W powered speaker is equipped with a 100V line transformer with 4 power adjustments, also low-impedance operation (20 ohm) is possible. The impact-resistant ABS housing UL94V0 in RAL 7035 guarantees long-term stability. For additional reliability, a ceramic block and a thermal fuse is provided.

The speaker is also secured with the high protection class IP 66 against the security risks of environmental influences. The speaker is compliant with the British Standard BS 5839, Part 8.

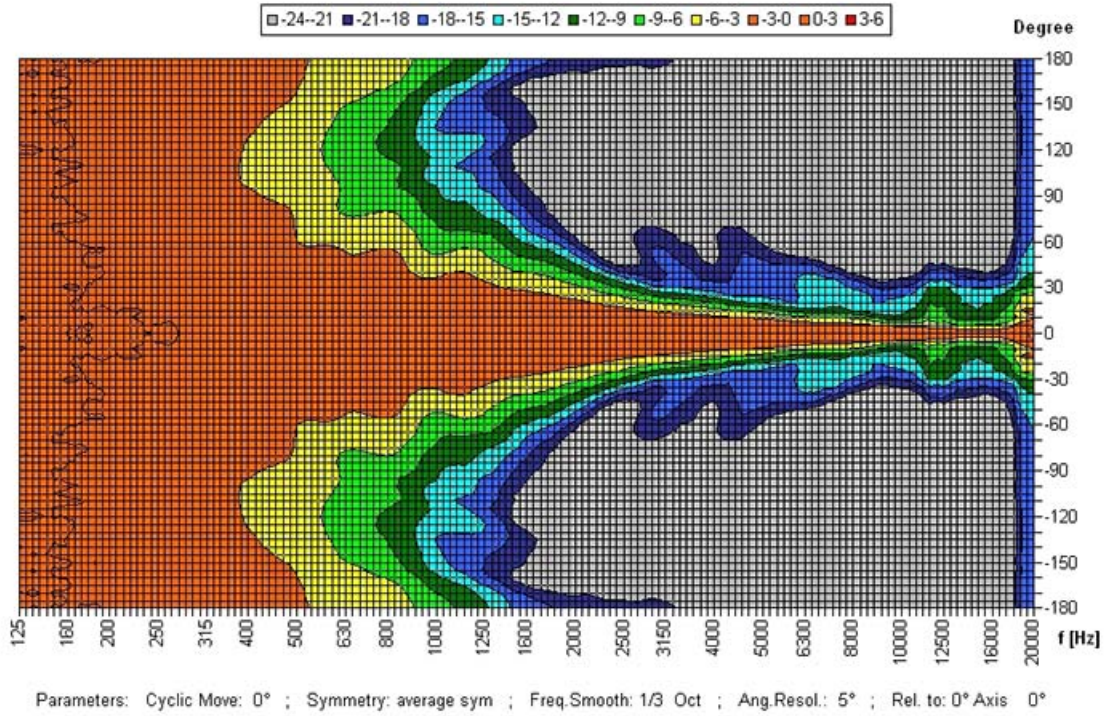
The PG11 cable glands on the back of the speaker allow quick and easy connection.

Included is a U-shaped, stainless steel universal mount for flexible installation. Optionally available is a mast bracket (MB) for about 90 - 200mm mast diameter.

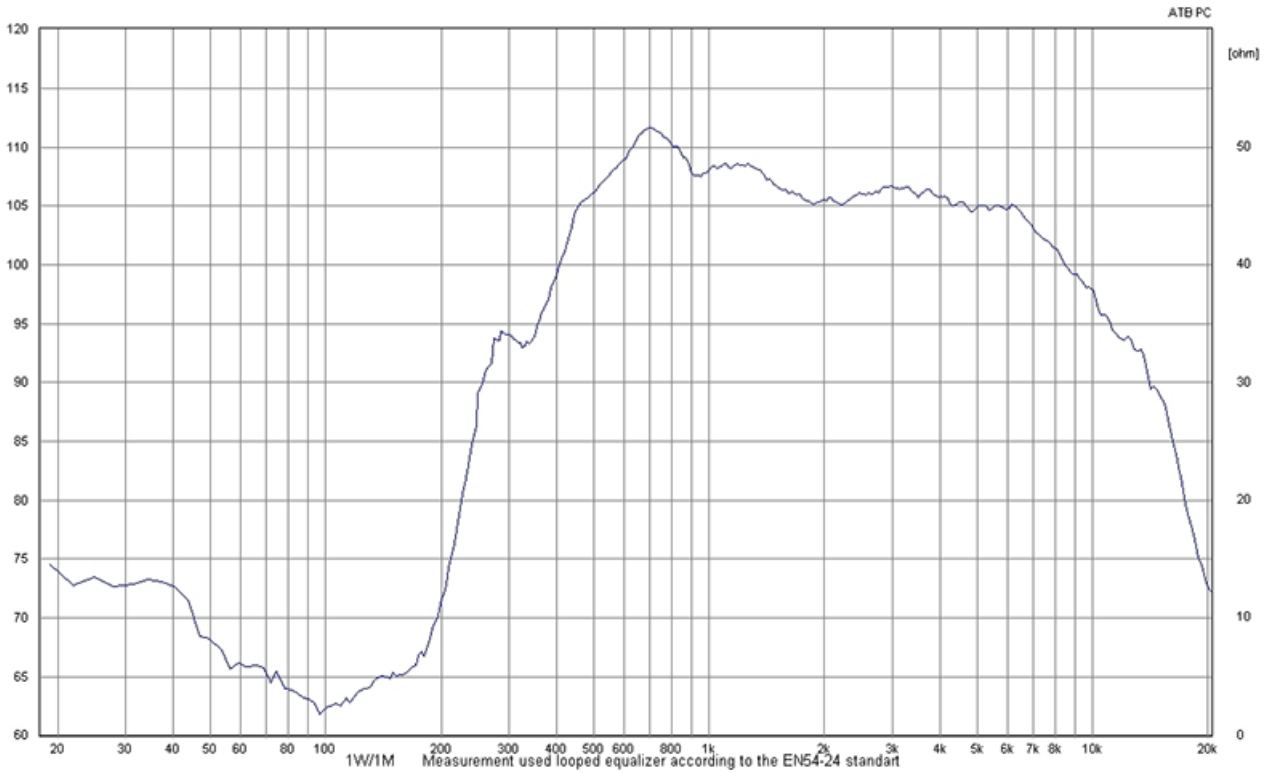
To operate the product according to EN 54-24, an equalizer has to be used as described in the user manual.

**POLAR DIAGRAMS**

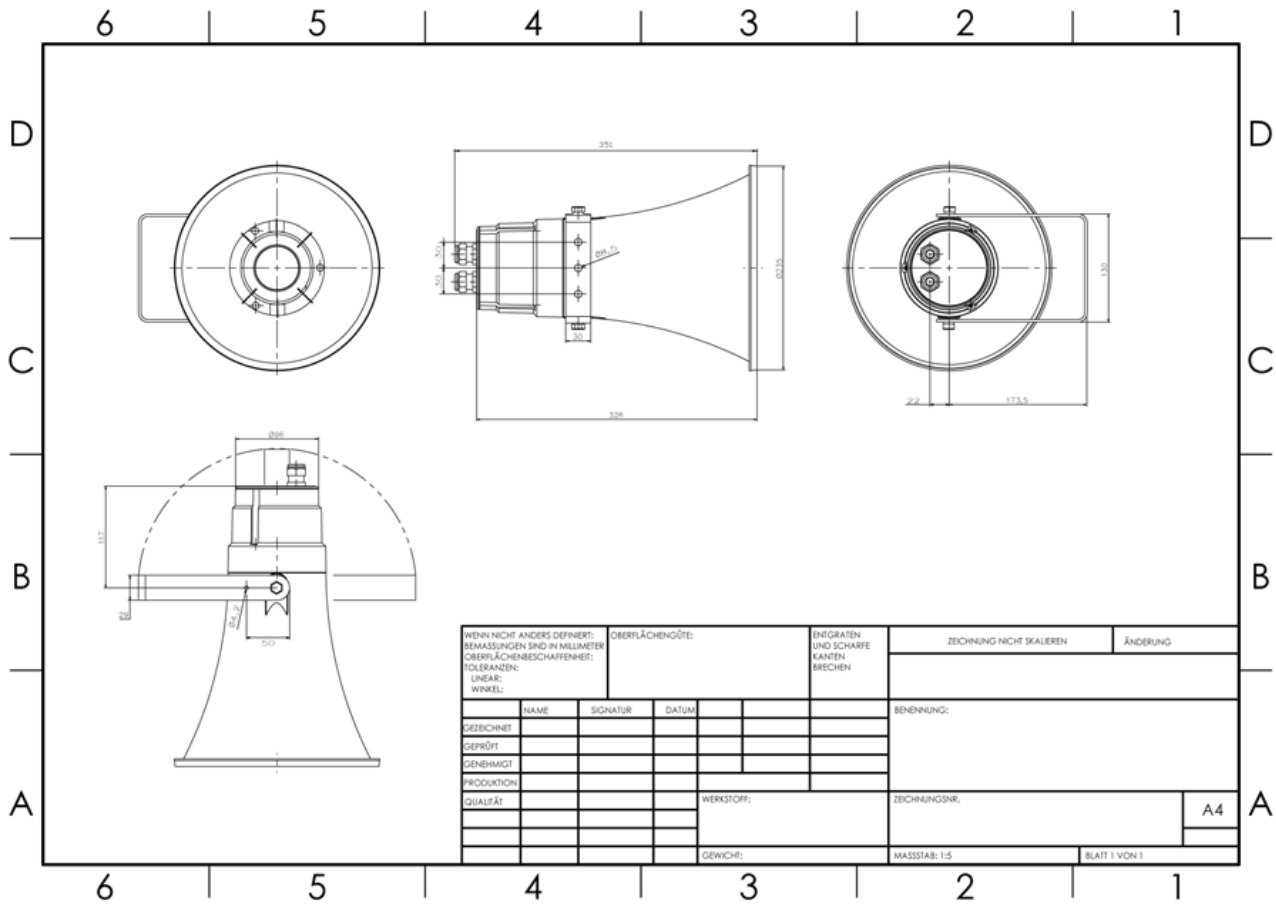
Copyright by Four-Audio GmbH & Co KG Licensed to AAC



## FREQUENCY RESPONSE DIAGRAMS



TECHNICAL DIAGRAMS



## TECHNICAL DATA (ELECTRICAL)

Description	HS-30W-ABS
Power	30/20/10/5 (20) W
Impedance (100V)	333/500/1000/2000 ohm
Frequency Range	592 - 6.900 Hz
Frequency Response	250 - 15.000 Hz
Sensitivity, IEC268-5, 1W/1m	97,0 dB
Sensitivity EN54-24, Pmax/4m	96,0 dB
Sensitivity EN54-24, 1W/4m	85,0 dB
Sensitivity EN54-24, 1W/1m	97,9 dB
Sensitivity 1W/1m @ 1KHz	109 dB
Dispersion -6dB, 500Hz	h/v 155°
Dispersion -6dB, 1KHz	h/v 110°
Dispersion -6dB, 2KHz	h/v 65°
Dispersion -6dB, 4KHz	h/v 35°

## TECHNICAL DATA (MECHANICAL)

Dimensions	235x351 mm
IP Rating	IP66
Weight (net)	2,27 kg
Temperature range	-25 / +70 C°
Mounting	Mounting bracket
Connector	ceramic block
Maximum cable cross section	8mm <sup>2</sup>
Terminal diameter	3,2 mm
Colour	RAL 7035

### All rights reserved.

The information contained in this document is believed to be accurate; however, no representation or warranty is given, and pAudio Technologies assumes no liability regarding its accuracy or completeness.