

20 Watts Projector Loudspeaker

APPLICATION

- Public Address and Voice Alarm
- Outdoor application
- Background Music

AREA OF USE

- Health • Education • Retail • Hospitality
- Stadiums • Transportation • Theme parks • Military



EN 54 24

- quick mounting
- aluminium housing
- BS 5839

OVERVIEW

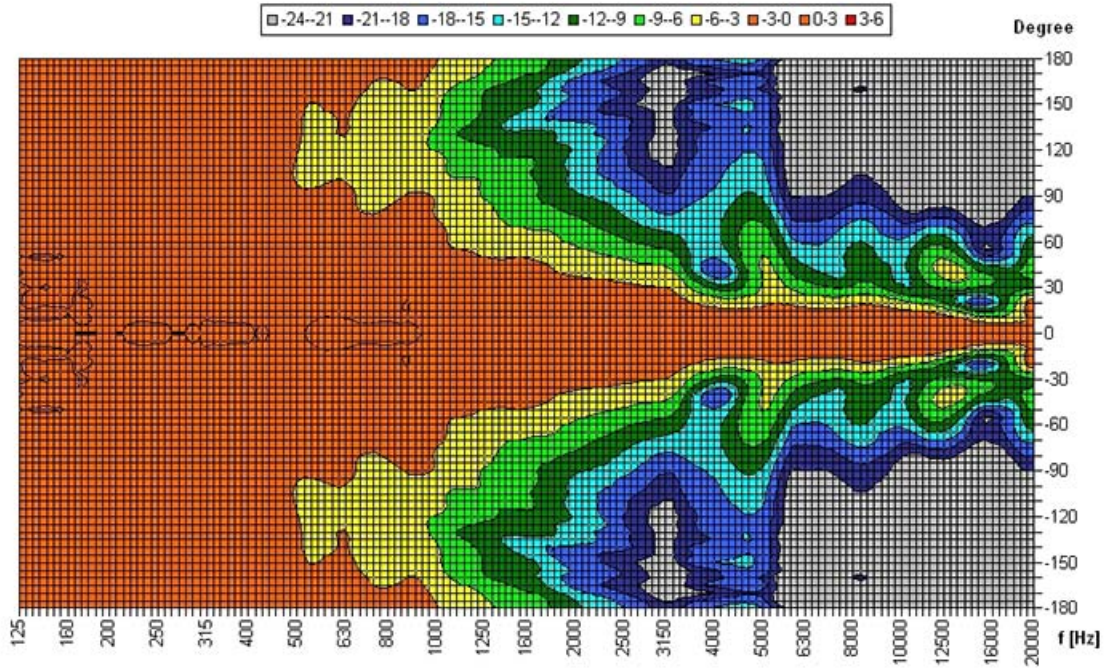
The 20W powered speaker is equipped with a 130mm full-range loudspeaker and a 100V line transformer with 4 power adjustments. A robust powder coated aluminum housing in RAL 9010, and a solid aluminium mounting bracket ensures the permanent installation of this speaker. For additional reliability, a 2 pin-ceramic block and a thermal fuse is provided in a junction box and the speaker chassis is impregnated against wetness.

The speaker is also secured with the high protection class IP 65 against the risks of environmental influences. The speaker is compliant with the British Standard BS 5839, Part 8.

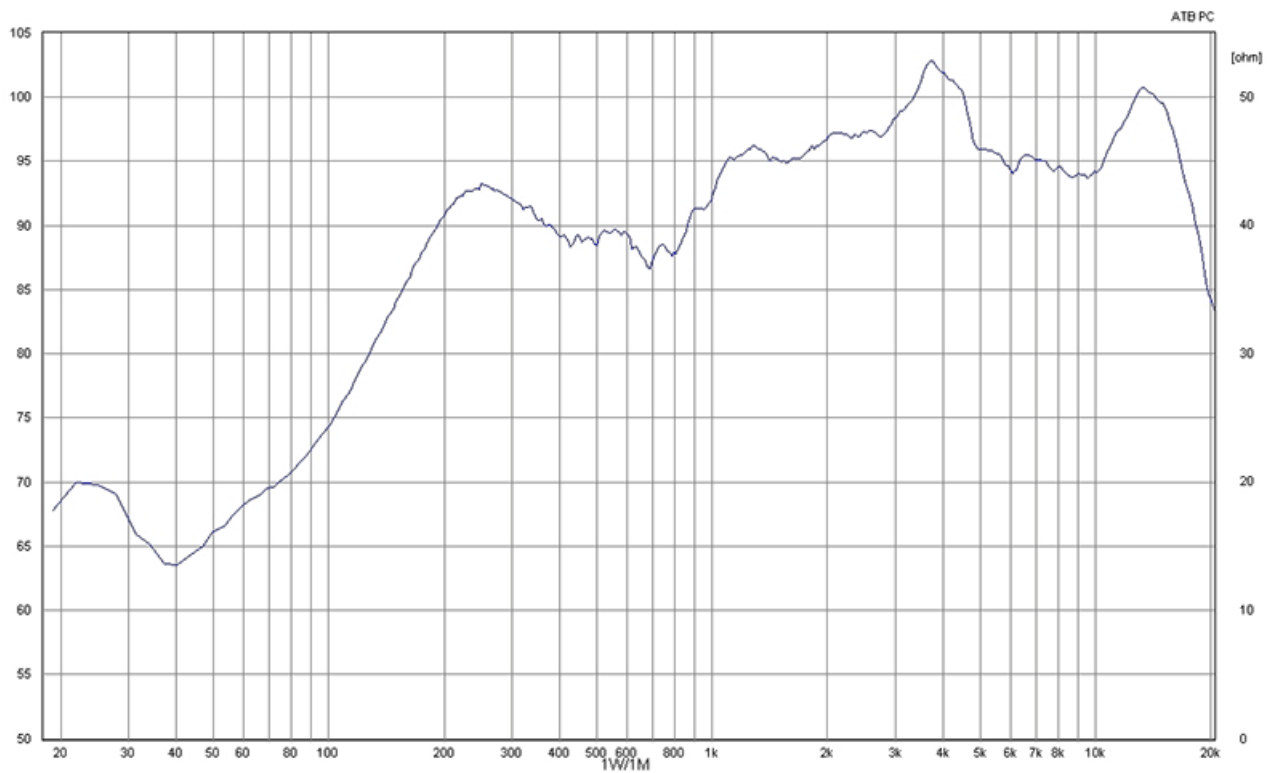
Optionally available is a mast bracket (MB) for about 200mm mast diameter.

POLAR DIAGRAMS

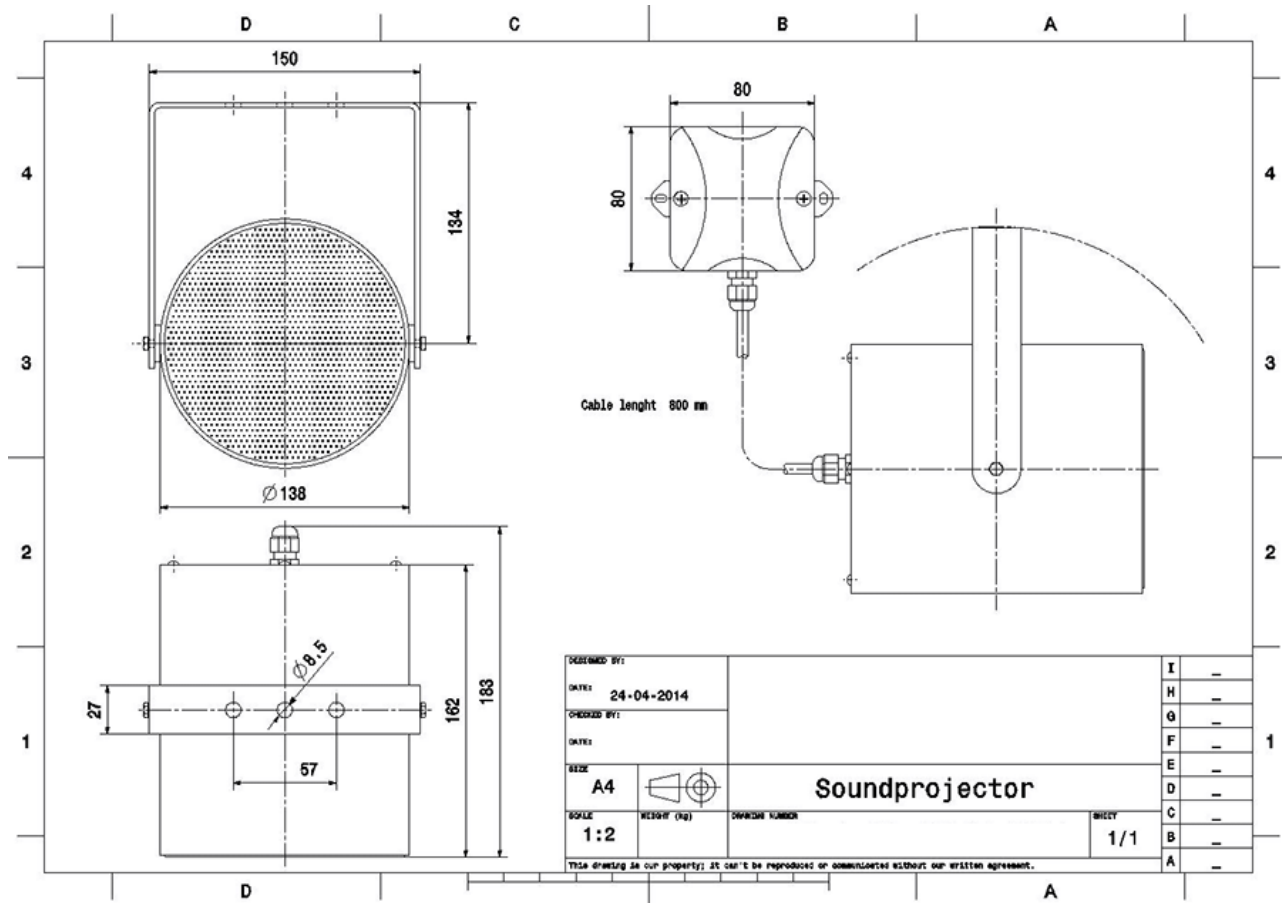
Copyright by Four-Audio GmbH & Co KG Licensed to AAC



FREQUENCY RESPONSE DIAGRAMS



TECHNICAL DIAGRAMS



TECHNICAL DATA (ELECTRICAL)

Description	PS-20W-AL
Power	20/15/10/5 W
Impedance (100V)	500/667/1000/2000 ohm
Frequency Range	800 - 16.700 Hz
Frequency Response	150 - 20.000 Hz
Sensitivity, IEC268-5, 1W/1m	92 dB
Sensitivity, rated noise power / 4m	93,0 dB
Sensitivity EN54-24, 1W/4m	80,3 dB
Sensitivity EN54-24, 1W/1m	92,3 dB
Sensitivity 1W/1m @ 1KHz	88 dB
Dispersion -6dB, 500Hz	h/v 360°
Dispersion -6dB, 1KHz	h/v 210°
Dispersion -6dB, 2KHz	h/v 105°
Dispersion -6dB, 4KHz	h/v 55°

TECHNICAL DATA (MECHANICAL)

Dimensions	140x163 mm
IP Rating	IP65
Weight (net)	2,52 kg
Temperature range	-25 / +70 C°
Mounting	Mounting bracket
Connector	2-pin ceramic block
Maximum cable cross section	8mm ²
Max. cable cross section loop	2x2mm ²
Colour	RAL 9010

All rights reserved.

The information contained in this document is believed to be accurate; however, no representation or warranty is given, and pAudio Technologies assumes no liability regarding its accuracy or completeness.