

60 Watts Pendent (Spherical) Loudspeaker

**APPLICATION**

- Public Address and Voice Alarm
- Outdoor application
- Background Music

**AREA OF USE**

- Health • Education • Retail • Hospitality
- Stadiums • Transportation • Theme parks • Military



**EN 54 24**

- UV-resistant
- easy power adjustment
- 2-Way system

**OVERVIEW**

The 60W speaker is equipped with a 2-way bass reflex system and offers powerful sound with a wide and homogeneous dispersion. The SS-60W-ABS-B has a 100V transformer with 3 power adjustments, these can be easily adjusted by a rotary switch on the top of the sphere. Low impedance operation is also possible.

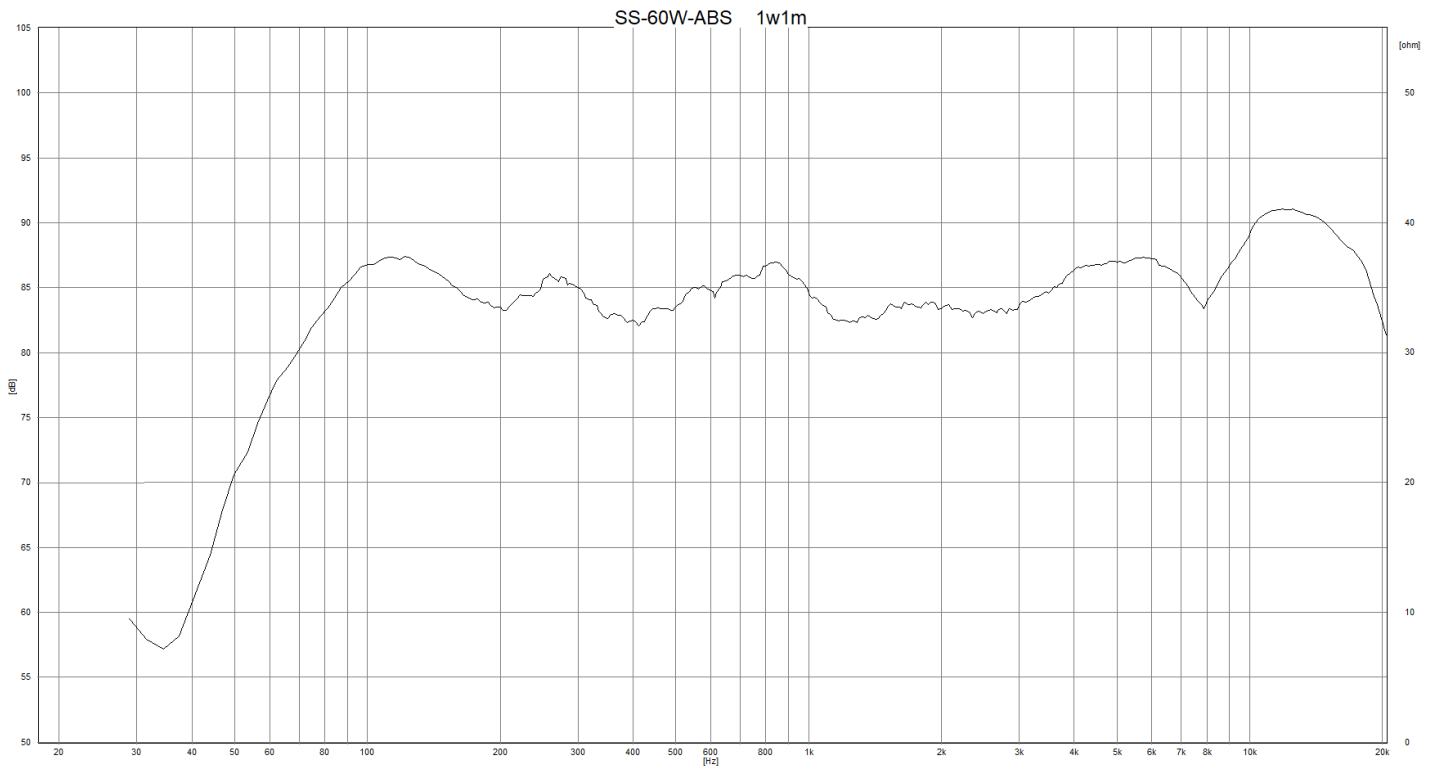
The impact-resistant, UV-resistant ABS plastic housing in black guarantees lasting stability.

Additional operational safety is provided by the 2-pole ceramic terminal block, a thermal fuse, a PG screw connection integrated into the canopy and the moisture impregnation of the loudspeaker. The loudspeaker is protected against the risks of environmental influences with protection class IP65.

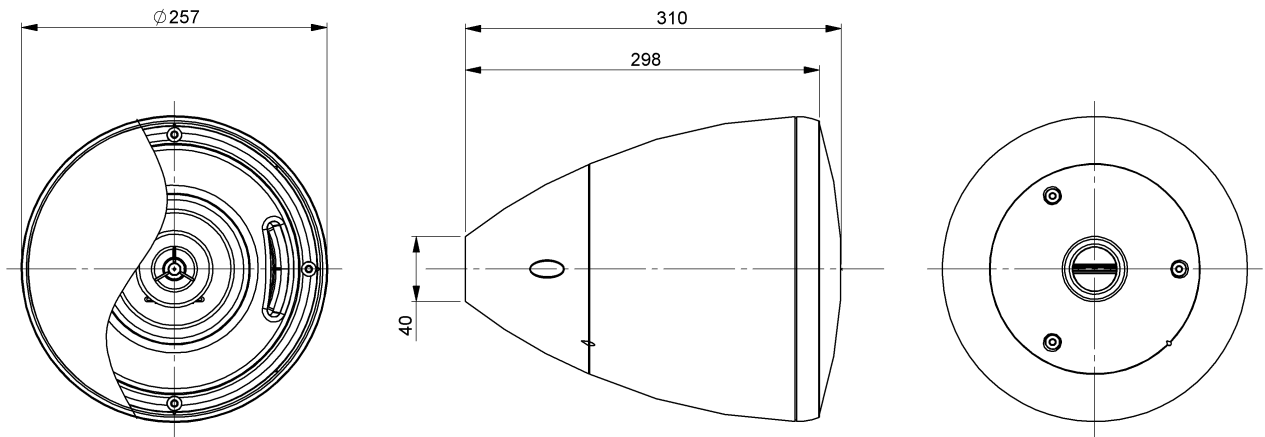
The connection is made via a 2-core, 4.5m long cable. Quick and uncomplicated installation using mounting hooks and canopy.

The speaker is compliant with the British Standard BS 5839, Part 8.

## FREQUENCY RESPONSE DIAGRAMS



**TECHNICAL DIAGRAMS**



all dimensions are in mm

## TECHNICAL DATA (ELECTRICAL)

Description	SS-60W-ABS-B
Power	60 /30 /15W
Impedance (100V)	167 / 333 / 667 / 8 ohm
Frequency Range	70 -20.000 Hz
Frequency Response	60 - 22.000 Hz
Sensitivity, IEC268-5, 1W/1m	86,2 dB
Sensitivity EN54-24, 1W/1m	86,2 dB
Sensitivity, EN54-24, Pmax./4m	91,9 dB
Sensitivity EN54-24, 1W/4m	74,2 dB
Sensitivity 1W/1m @ 1KHz	85 dB
Dispersion -6dB, 500Hz	h/v 360° / 360°
Dispersion -6dB, 1KHz	h/v 160° / 160°
Dispersion -6dB, 2KHz	h/v 110° / 110°
Dispersion -6dB, 4KHz	h/v 72° / 72°

## TECHNICAL DATA (MECHANICAL)

Dimensions	235x351 mm
IP Rating	IP66
Weight (net)	2,27 kg
Temperature range	-25 / +70 C°
Mounting	Mounting bracket
Connector	ceramic block
Maximum cable cross section	8mm <sup>2</sup>
Terminal diameter	3,2 mm
Colour	RAL 7035

### All rights reserved.

The information contained in this document is believed to be accurate; however, no representation or warranty is given, and pAudio Technologies assumes no liability regarding its accuracy or completeness.