

6 Watts wall mounted loudspeaker

APPLICATION

- Public Address and Voice Alarm
- Outdoor application
- Background Music

AREA OF USE

- Health • Education • Retail • Hospitality
- Stadiums • Transportation • Theme parks • Military



EN 54 24

- High sound pressure
- level Slim-line design
- flexible mounting

OVERVIEW

A uniquely designed ultra-slim wall speaker for limited space and unobtrusive installations. The loudspeaker delivers excellent sound quality with an outstanding look. The 6W full range 165mm speaker convinces through high-quality design and resilience. The impact-resistant, UV-resistant, ABS plastic housing in white assures enduring stability. It features a magnetically attached grille - discreet and easy maintenance.

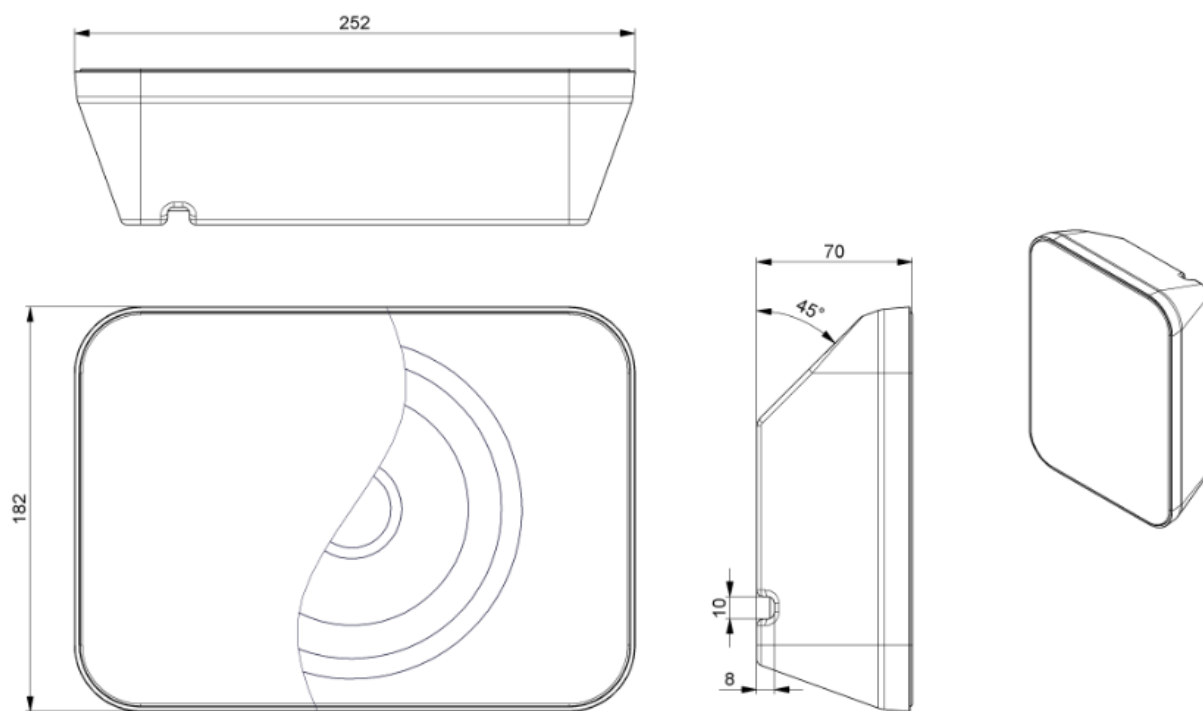
Fast and easy installation through the WAGO connector.

The speaker is protected against the risks of environmental influences with protection class IP 21. It is also impregnated against moisture.

Thanks to its flexible mounting positions, 3 orientations are possible:

- 1.Horizontal alignment on the wall
- 2.Horizontal alignment between two walls and the ceiling
- 3.Corner mount

TECHNICAL DIAGRAMS



all dimensions are in mm

TECHNICAL DATA (ELECTRICAL)

Description	WMS-S-06W-US-ABS
Power	6/3/1,5 W
Impedance (100V)	1667 / 3333 / 6667 ohm
Frequency Range	210 - 21.800 Hz
Frequency Response	184 - 23.300 Hz
Sensitivity, IEC268-5, 1W/1m	92,7 dB
Sensitivity EN54-24, Pmax/4m	88,8 dB
Sensitivity EN54-24, 1W/4m	91,0 dB
Dispersion -6dB, 500Hz	h=180° v=180°
Dispersion -6dB, 1KHz	h=160° v=160°
Dispersion -6dB, 2KHz	h=125° v=125°
Dispersion -6dB, 4KHz	h=89° v=89°

TECHNICAL DATA (MECHANICAL)

Dimensions	252x182x70 mm
IP Rating	IP21
Weight (net)	0,8kg
Temperature range	-10/ +55C°
Connector	WAGO 221 connector
Mounting	Screw set
Terminal diameter	3,2 mm
Maximum cable passage	8mm ²
Colour	white

All rights reserved.

The information contained in this document is believed to be accurate; however, no representation or warranty is given, and pAudio Technologies assumes no liability regarding its accuracy or completeness.